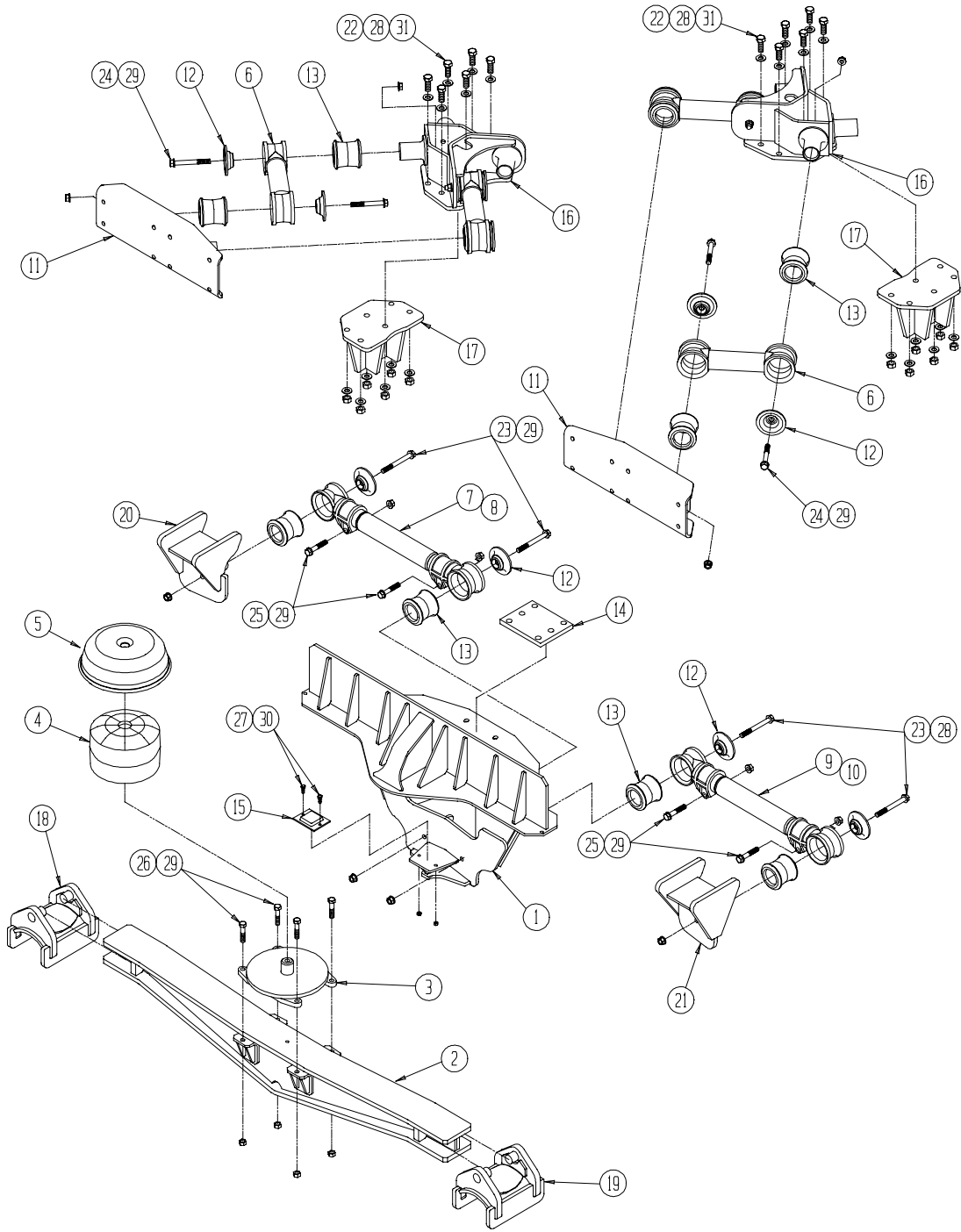




800 SERIES 80K PARTS MANUAL

CHALMERS SUSPENSIONS INTERNATIONAL INC
6400 NORTHAM DRIVE
MISSISSAUGA, ONTARIO, CANADA
L4V 1J1
(905) 362-6400 PHONE (905) 362-6401 FAX



Chalmers Suspensions 800 Series 80,000 lbs. Tandem Truck Suspension

CHALMERS 800 SERIES SUSPENSION
80,000 LBS PARTS LISTING
65" AXLE SPREAD

ITEM NO.	PART NO.	DESCRIPTION	QTY	COMMENTS
1	SEE TABLE	HANGER ASSEMBLY	2	
2	SEE TABLE	BEAM	2	
3	SEE TABLE	SPRING PLATE	2	
4	15026	#26 LOADGUARD SPRING	2	
5	373032	#26 RESTRICTOR CAN	2	
6	805131	UPPER TORQUE ROD	8	13 1/8" LONG
7	05S00003	LOWER TORQUE ROD	1	29 3/16" LONG ADJ.
8	05S00003	LOWER TORQUE ROD	1	29 3/16" LONG ADJ.
9	05S00003	LOWER TORQUE ROD	1	29 3/16" LONG ADJ.
10	05S00003	LOWER TORQUE ROD	1	29 3/16" LONG ADJ.
11	02S00074	UPPER FRAME BRACKETS	4	
12	800055	SPIGOT CAP #2 JOINT	16	
13	800010	BUSHING #2 JOINT	16	STANDARD
	800009	BUSHING #2 JOINT	16	OVERSIZED/SERVICE
14	02P00242	SPACER	2	
15	48045	REBOUND STOP	2	
16	SEE TABLE	TOWER	2	
17	SEE TABLE	TOWER BASE	2	
18	SEE TABLE	SADDLE	2	LHF/RHR
19	SEE TABLE	SADDLE	2	RHF/LHR
20	SEE TABLE	TORQUE ROD AXLE BRACKET	2	LHF/RHR
21	SEE TABLE	TORQUE ROD AXLE BRACKET	2	RHF/LHR
22	HDW 501	3/4" NC X 2.5" LG BOLT	12	
23	HDW 388	5/8" NC X 6.0" LG BOLT	8	
24	HDW 382	5/8" NC X 5.5" LG BOLT	16	
25	HDW 380	5/8" NC X 3.5" LG BOLT	8	
26	HDW 313	5/8" NC X 2.0" LG BOLT	8	
27	HDW 336	3/8" NC X 1.0" LG BOLT	4	
28	HDW 018	3/4" NC LOCKNUT	12	
29	HDW 379	5/8" NC LOCKNUT	40	
30	HDW 133	3/8" NC LOCKNUT	4	
31	HDW 507	3/4" ID HARDENED WASHER	24	

CHALMERS 800 SERIES SUSPENSIONS
80,000 LBS FRAME HANGER ASSEMBLIES

FRAME HANGER PART NO RH/LH	FRONT AXLE PINION ANGLE	REAR AXLE PINION ANGLE	COMMENTS
02S00100	0 DEG	0 DEG	
02S00164 / 02S00165	2 DEG	2 DEG	
02S00421 / 02S00422	4 DEG	4 DEG	

CHALMERS 800 SERIES BEAMS & SPRING PLATES
80,000 LBS CAPACITY, 65" AXLE SPREAD

65" BEAM	SPRING PLATE	DESCRIPTION	COMMENTS
04S00018	04S00019	HIGH MOUNT	
		LOW MOUNT	
04S00041	04S00019	X-LOW MOUNT	

CHALMERS 800 SERIES TOWERS 80,000 LBS CAPACITY

TOWER PART NO.	AXLE MODEL
03S00169	STANDARD FOR ALL AXLES

CHALMERS 800 SERIES TOWER BASE 80,000 LBS CAPACITY

TOWER BASE PART NO.	AXLE MODEL
03S00170	SOMA
03S00241	CLARK BD 71000 (FRONT AXLE)
03S00242	CLARK BD 71000 (REAR AXLE)
03S00249	MERITOR; SPRC 1735 (FRONT AXLE) SPRC 1927 (FRONT AXLE)
03S00250	MERITOR; SPRC 1735 (REAR AXLE) SPRC 1927 (REAR AXLE)
03S00449	SISU FRP2

CHALMERS 800 SERIES SADDLES 80,000 LBS CAPACITY

LHF/RHR SADDLE	RHF/LHR SADDLE	AXLE MODEL
03S00166	03S00166	SOMA
03S00243	03S00243	CLARK BD 71000
03S00251	03S00251	MERITOR SPRC 1927
03S00450	03S00450	SISU FRP2
03S00669	03S00669	MERITOR SPRC 1735

CHALMERS 800 SERIES TORQUE ROD AXLE BRACKETS
80,000 LBS CAPACITY

LHF/RHR BRACKET	RHF/LHR BRACKET	AXLE MODEL
03S00168	03S00167	SOMA
03S00245	03S00244	CLARK BD 71000
03S00253	03S00252	MERITOR SPRC 1927
03S00452	03S00451	SISU FRP2
03S00671	03S00670	MERITOR SPRC 1735