

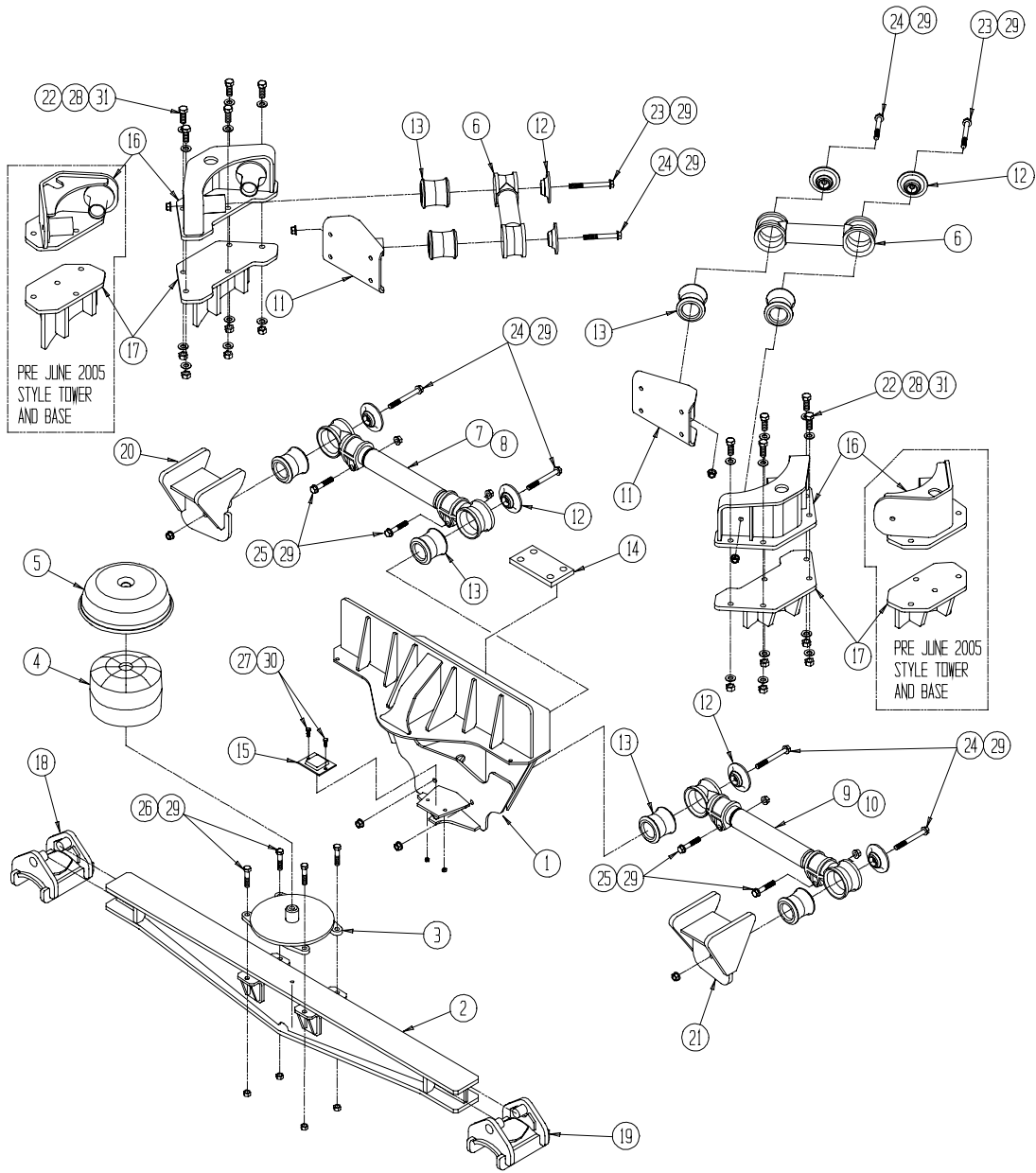


800 SERIES 65K PARTS MANUAL

CHALMERS SUSPENSIONS INTERNATIONAL INC
6400 NORTHAM DRIVE
MISSISSAUGA, ONTARIO, CANADA
L4V 1J1

(905) 362-6400 PHONE

(905) 362-6401 FAX



Chalmers Suspensions 800 Series 65,000 lbs. Tandem Truck Suspension

CHALMERS 800 SERIES SUSPENSION
65,000 LBS PARTS LISTING
60" & 65" AXLE SPREAD

ITEM NO.	PART NO.	DESCRIPTION	QTY	COMMENTS
1	SEE TABLE	HANGER ASSEMBLY	2	
2	SEE TABLE	BEAM	2	
3	SEE TABLE	SPRING PLATE	2	
4	15026	#26 LOADGUARD SPRING	2	
5	373032	#26 RESTRICTOR CAN	2	
6	05S00004	UPPER TORQUE ROD	4	13 1/8" LONG
7	SEE TABLE	LOWER TORQUE ROD	1	
8	SEE TABLE	LOWER TORQUE ROD	1	
9	SEE TABLE	LOWER TORQUE ROD	1	
10	SEE TABLE	LOWER TORQUE ROD	1	
11	02S00121	UPPER FRAME BRACKETS	4	
12	800055	SPIGOT CAP #2 JOINT	16	
13	800010	BUSHING #2 JOINT	16	STANDARD
	800009	BUSHING #2 JOINT	16	OVERSIZED/SERVICE
14	02P00242	SPACER	2	
15	48045	REBOUND STOP	2	
16	SEE TABLE	TOWER	2	
17	SEE TABLE	TOWER BASE	2	
18	SEE TABLE	SADDLE	2	LHF/RHR
19	SEE TABLE	SADDLE	2	RHF/LHR
20	SEE TABLE	TORQUE ROD AXLE BRACKET	2	LHF/RHR
21	SEE TABLE	TORQUE ROD AXLE BRACKET	2	RHF/LHR
22	HDW 501	3/4" NC X 2.50" LG BOLT	10	
23	HDW 388	5/8" NC X 6.0" LG BOLT	4	
	HDW 460	5/8" NC X 6.0" LG L-9 BOLT	4	L-9 SYSTEM*
24	HDW 382	5/8" NC X 5.5" LG BOLT	12	
	HDW 460	5/8" NC X 6.0" LG L-9 BOLT	12	L-9 SYSTEM*
25	HDW 380	5/8" NC X 3.5" LG BOLT	8	
26	HDW 313	5/8" NC X 2.0" LG BOLT	8	
27	HDW 336	3/8" NC X 1.0" LG BOLT	4	
28	HDW 018	3/4" NC LOCKNUT	10	
29	HDW 379	5/8" NC LOCKNUT	32	
	HDW 451	5/8" NC L-9 LOCKNUT	16	L-9 SYSTEM*
	HDW 453	5/8" ID L-9 HARDENED WASHER	32	L-9 SYSTEM*
30	HDW 133	3/8" NC LOCKNUT	4	
31	HDW 031	3/4" ID WASHER	20	

* THE L-9 SYSTEM REPLACES THE STANDARD TORQUE ROD JOINT HARDWARE

CHALMERS 800 SERIES SUSPENSIONS
65,000 LBS FRAME HANGER ASSEMBLIES

60" AXLE SPREAD PART NO RH/LH	65" AXLE SPREAD PART NO RH/LH	FRONT AXLE PINION ANGLE	REAR AXLE PINION ANGLE	COMMENTS
	03S00300	0 DEG	0 DEG	
02S00446/02S00447	02S00139/02S00140	0 DEG	5 DEG	
02S00147/02S00148		0 DEG	6 DEG	
	02S00438/02S00439	0 DEG	10 DEG	
	02S00194/02S00195	0 DEG	11 DEG	
02S00145/02S00146	02S00162/02S00163	2 DEG	2 DEG	
	02S00442/02S00443	2 DEG	9 DEG	
02S00156/02S00157		2 DEG	11 DEG	
02S00130/02S00131		3 DEG	10 DEG	
02S00344/02S00345	02S00451/02S00452	4 DEG	4 DEG	
	02S00203/02S00204	0 DEG	11 DEG	37" BEAM CENTRES
02S00500/02S00501		2 DEG	2 DEG	37" BEAM CENTRES
	02S00358/02S00359	2 DEG	9 DEG	37" BEAM CENTRES
02S00492/02S00493		2 DEG	10 DEG	37" BEAM CENTRES
02S00348/02S00349		2 DEG	11 DEG	37" BEAM CENTRES
	02S00252/02S00253	3 DEG	3 DEG	37" BEAM CENTRES
02S00494/02S00495	02S00398/02S00399	3 DEG	9 DEG	37" BEAM CENTRES

CHALMERS 800 SERIES BEAMS & SPRING PLATES
65,000 LBS CAPACITY, 60" & 65" AXLE SPREAD

60" BEAM	65" BEAM	SPRING PLATE	DESCRIPTION	COMMENTS
04S00088	04S00023	04S00026	HIGH MOUNT	
	04S00024	04S00026	LOW MOUNT	
04S00028	04S00025	04S00026	X-LOW MOUNT	
	04S00065	04S00045	HIGH MOUNT	37" BEAM CENTRES
			LOW MOUNT	37" BEAM CENTRES
04S00077	04S00044	04S00045	X-LOW MOUNT	37" BEAM CENTRES
04S00071		04S00045	SPECIAL X-LOW	37" BEAM CENTRES

FORWARD AXLE LOWER TORQUE RODS*
800 SERIES, 60" SPREAD, 65,000 LBS CAPACITY

RIDE HT. DEGREES	X-LOW		LOW		HIGH	
	FIXED	ADJUST	FIXED	ADJUST	FIXED	ADJUST
0	05T00267	05T02270	05T00274	05T02274	05T00277	05T02280
1	05T00271	05T02272	05T00276	05T02276	05T00281	05T02282
2	05T00273	05T02274	05T00280	05T02280	05T00283	05T02284
3	05T00276	05T02276	05T00282	05T02282	05T00285	05T02286
4	05T00280	05T02280	05T00284	05T02284	05T00287	05T02290
5	05T00282	05T02282	05T00286	05T02286	05T00291	05T02292

*FOR UNITS BUILT JAN/07 AND AFTER. FOR TORQUE RODS ON UNITS BUILT PRIOR TO JAN/07 SEE CHART AT BACK OF CATALOGUE.

REAR AXLE LOWER TORQUE RODS*
800 SERIES, 60" SPREAD, 65,000 LBS CAPACITY

RIDE HT. DEGREES	X-LOW		LOW		HIGH	
	FIXED	ADJUST	FIXED	ADJUST	FIXED	ADJUST
0	05T00267	05T02270	05T00274	05T02274	05T00277	05T02280
1	05T00265	05T02266	05T00272	05T02272	05T00275	05T02276
2	05T00263	05T02264	05T00270	05T02270	05T00273	05T02274
3	05T00261	05T02262	05T00266	05T02266	05T00271	05T02272
4	05T00257	05T02260	05T00264	05T02264	05T00267	05T02270
5	05T00255	05T02256	05T00262	05T02262	05T00265	05T02266
6	05T00253	05T02254	05T00260	05T02260	05T00263	05T02264
7	05T00251	05T02252	05T00256	05T02256	05T00261	05T02262
8	05T00247	05T02250	05T00254	05T02254	05T00257	05T02260
9	05T00245	05T02246	05T00252	05T02252	05T00255	05T02256
10	05T00243	05T02244	05T00250	05T02250	05T00253	05T02254
11	05T00241	05T02242	05T00246	05T02246	05T00251	05T02252

*FOR UNITS BUILT JAN/07 AND AFTER. FOR TORQUE RODS ON UNITS BUILT PRIOR TO JAN/07 SEE CHART AT BACK OF CATALOGUE.

FORWARD AXLE LOWER TORQUE RODS*
800 SERIES, 65" SPREAD, 65,000 LBS CAPACITY

RIDE HT. DEGREES	X-LOW		LOW		HIGH	
	FIXED	ADJUST	FIXED	ADJUST	FIXED	ADJUST
0	05T00292	05T02292	05T00297	05T02300	05T00302	05T02302
1	05T00294	05T02294	05T00301	05T02302	05T00304	05T02304
2	05T00296	05T02296	05T00303	05T02304	05T00306	05T02306
3	05T00300	05T02300	05T00305	05T02306	05T00310	05T02310
4	05T00302	05T02302	05T00307	05T02310	05T00312	05T02312
5	05T00304	05T02304	05T00311	05T02312	05T00314	05T02314

*FOR UNITS BUILT JAN/07 AND AFTER. FOR TORQUE RODS ON UNITS BUILT PRIOR TO JAN/07 SEE CHART AT BACK OF CATALOGUE.

REAR AXLE LOWER TORQUE RODS*
800 SERIES, 65" SPREAD, 65,000 LBS CAPACITY

RIDE HT. DEGREES	X-LOW		LOW		HIGH	
	FIXED	ADJUST	FIXED	ADJUST	FIXED	ADJUST
0	05T00292	05T02292	05T00297	05T02300	05T00302	05T02302
1	05T00290	05T02290	05T00295	05T02296	05T00300	05T02300
2	05T00286	05T02286	05T00293	05T02294	05T00296	05T02296
3	05T00284	05T02284	05T00291	05T02292	05T00294	05T02294
4	05T00282	05T02282	05T00287	05T02290	05T00292	05T02292
5	05T00280	05T02280	05T00285	05T02286	05T00290	05T02290
6	05T00276	05T02276	05T00283	05T02284	05T00286	05T02286
7	05T00274	05T02274	05T00281	05T02282	05T00284	05T02284
8	05T00272	05T02272	05T00277	05T02280	05T00282	05T02282
9	05T00270	05T02270	05T00275	05T02276	05T00280	05T02280
10	05T00266	05T02266	05T00273	05T00274	05T00276	05T02276
11	05T00264	05T02264	05T00271	05T02272	05T00274	05T02274

*FOR UNITS BUILT JAN/07 AND AFTER. FOR TORQUE RODS ON UNITS BUILT PRIOR TO JAN/07 SEE CHART AT BACK OF CATALOGUE.

CHALMERS 800 SERIES TOWERS 65,000 LBS CAPACITY

NEW TOWER PART NO	OLD TOWER PART NO. *	AXLE MODEL
03S00634	03S00195	STANDARD FOR MOST AXLES
03S00633	03S00212	SISU FR2P (BTM)
	03S00226	MERCEDES BENZ HL71015-D

* PRIOR TO JUNE 2005

NOTE: PLATE 03P01267 CAN BE UTILIZED TO MOUNT NEW STYLE TOWER 03S00634 TO OLD STYLE BASE.

CHALMERS 800 SERIES TOWER BASE 65,000 LBS CAPACITY

NEW BASE PART NO	OLD BASE PART NO. *	AXLE MODEL
03S00635	03S00198	MERITOR(ROCKWELL); RT 58-180, RT 58-380(FRONT AXLE), RT 70-380(FRONT AXLE)
03S00636	03S00289	MERITOR(ROCKWELL); RT 70-380(REAR AXLE)
03S00637	03S00446	MERITOR(ROCKWELL); RT 58-380(REAR AXLE)
03S00638	03S00478	CLARK BD91000 (FRONT AXLE)
03S00647	03S00479	CLARK BD91000 (REAR AXLE)
03S00639	03S00302	CLARK BD71000 (FRONT AXLE)
03S00640	03S00303	CLARK BD71000 (REAR AXLE)
03S00641	03S00559	DANA(EATON); DS 651
03S00642	03S00377	DANA(EATON); DS 601 (SPECIAL X-LOW)
03S00643	03S00467	DANA(EATON); DS 601 (X-LOW)
03S00644	03S00358	MANN HD7-13120, MERITOR SOMA

* PRIOR TO JUNE 2005

NOTE: PLATE 03P01267 CAN BE UTILIZED TO MOUNT NEW STYLE TOWER 03S00634 TO OLD STYLE BASE.

CHALMERS 800 SERIES SADDLES 65,000 LBS CAPACITY

LHF/RHR SADDLE	RHF/LHR SADDLE	AXLE MODEL
03S00199	03S00200	MERITOR(ROCKWELL); RT 58-180
03S00213	03S00213	SISU FR2P (BTM)
03S00227	03S00227	MERCEDES/BENZ HL71015-D
03S00280	03S00281	MERITOR(ROCKWELL); RT 58-180 (37"-39" BEAM CTRS)
03S00286	03S00286	MERITOR(ROCKWELL); RT 70-380
03S00243	03S00243	CLARK BD71000
03S00359	03S00359	MANN HD7-13120
03S00465	03S00466	DANA(EATON); DS 601
03S00480	03S00480	CLARK BD 91000
03S00547	03S00547	MERITOR SOMA
03S00560	03S00561	DANA(EATON); DS 651

CHALMERS 800 SERIES TORQUE ROD AXLE BRACKETS
65,000 LBS CAPACITY

LHF/RHR SADDLE	RHF/LHR SADDLE	AXLE MODEL
03S00201	03S00202	MERITOR(ROCKWELL); RT 58-180
03S00215	03S00214	SISU FR2P (BTM),
03S00215	03S00214	MERCEDES/BENZ HL71015-D
03S00214	03S00214	MANN HD7-13120
03S00288	03S00287	MERITOR(ROCKWELL); RT 70-380
03S00306	03S00305	CLARK BD71000
03S00381	03S00380	DANA(EATON); DS 601
03S00481	03S00482	CLARK BD91000
03S00548	03S00549	SOMA
03S00215	03S00562	DANA(EATON); DS 651

FORWARD AXLE LOWER TORQUE RODS*
800 SERIES, 60" SPREAD, 65,000 LBS CAPACITY

DEGREES	FIXED LENGTH	T/ROD FIXED	T/ROD ADJUST
0	26 7/8	05S00017	05S00018
1	27 1/8		05S00018
2	27 3/8	05S00013	05S00006
3	27 5/8	05S00005	05S00006
4	27 7/8	05S00045	05S00012
5	28 1/8		05S00012

*FOR UNITS BUILT PRIOR TO JAN/07. FOR TORQUE RODS ON UNITS BUILT AFTER JAN/07 SEE CHART LISTED PREVIOUSLY IN THIS CATALOGUE.

REAR AXLE LOWER TORQUE RODS*
800 SERIES, 60" SPREAD, 65,000 LBS CAPACITY

DEGREES	FIXED LENGTH	T/ROD FIXED	T/ROD ADJUST
0	26 7/8		
1	26 5/8		
2	26 3/8	05S00015	05S00016
3	26 1/8		05S00016
4	25 13/16	05S00046	05S00047
5	25 9/16	05S00078	05S00047
6	25 5/16	05S00019	05S00020
7	25 1/16		05S00020
8	24 13/16		05S00094
9	24 9/16	05S00093	05S00094
10	24 5/16	05S00007	05S00008
11	24 1/16	05S00021	05S00008

*FOR UNITS BUILT PRIOR TO JAN/07. FOR TORQUE RODS ON UNITS BUILT AFTER JAN/07 SEE CHART LISTED PREVIOUSLY IN THIS CATALOGUE.

FORWARD AXLE LOWER TORQUE RODS*
800 SERIES, 65" SPREAD, 65,000 LBS CAPACITY

DEGREES	FIXED LENGTH	T/ROD FIXED	T/ROD ADJUST
0	29 3/8	05S00009	05S00010
1	29 5/8		05S00010
2	29 7/8	05S00022	05S00023
3	30 1/8	05S00033	05S00023
4	30 3/8	05S00079	05S00069
5	30 5/8		05S00069

*FOR UNITS BUILT PRIOR TO JAN/07. FOR TORQUE RODS ON UNITS BUILT AFTER JAN/07 SEE CHART LISTED PREVIOUSLY IN THIS CATALOGUE.

REAR AXLE LOWER TORQUE RODS*
800 SERIES, 65" SPREAD, 65,000 LBS CAPACITY

DEGREES	FIXED LENGTH	T/ROD FIXED	T/ROD ADJUST
0	29 3/8	05S00009	05S00010
1	29 1/8	05S00063	05S00010
2	28 7/8	05S00024	05S00025
3	28 5/8	05S00034	05S00025
4	28 5/16	05S00080	05S00012
5	28 1/16	05S00011	05S00012
6	27 13/16		
7	27 9/16		
8	27 5/16		05S00061
9	27 1/16	05S00060	05S00061
10	26 13/16	05S00076	05S00027
11	26 9/16	05S00026	05S00027

*FOR UNITS BUILT PRIOR TO JAN/07. FOR TORQUE RODS ON UNITS BUILT AFTER JAN/07 SEE CHART LISTED PREVIOUSLY IN THIS CATALOGUE.