

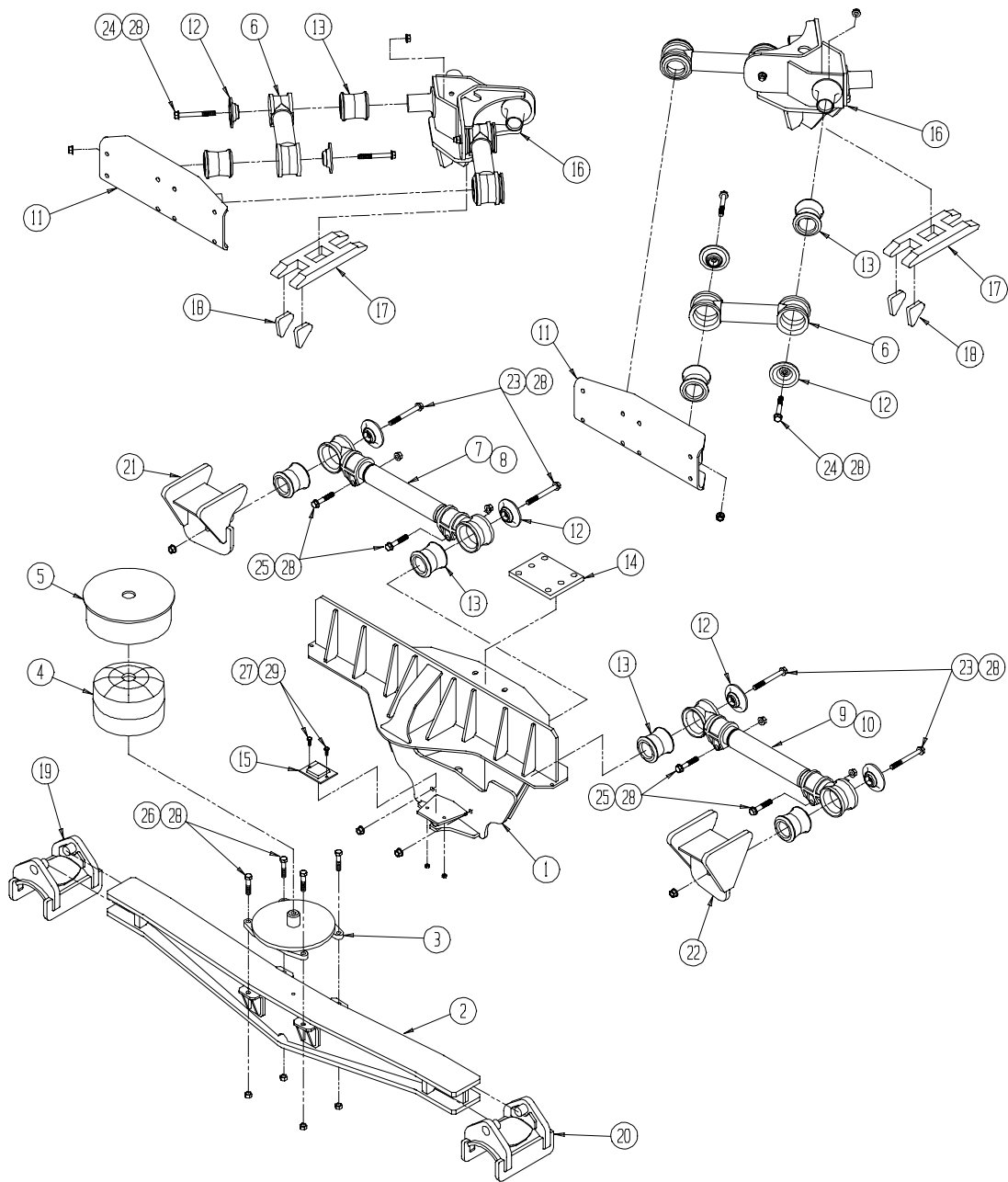


800 SERIES 100K PARTS MANUAL

CHALMERS SUSPENSIONS INTERNATIONAL INC
6400 NORTHAM DRIVE
MISSISSAUGA, ONTARIO, CANADA
L4V 1J1

(905) 362-6400 PHONE

(905) 362-6401 FAX



Chalmers Suspensions 800 Series 100,000 lbs. Tandem Truck Suspension

CHALMERS 800 SERIES SUSPENSION
100,000 LBS PARTS LISTING
65" AXLE SPREAD

ITEM NO.	PART NO.	DESCRIPTION	QTY	COMMENTS
1	SEE TABLE	HANGER ASSEMBLY	2	
2	SEE TABLE	BEAM	2	
3	SEE TABLE	SPRING PLATE	2	
4	15026	#26 LOADGUARD SPRING	2	
5	07S00001	#26 RESTRICTOR CAN H/D	2	
6	805131	UPPER TORQUE ROD	8	13 1/8" LONG
7	05S00002	LOWER TORQUE ROD	1	29 3/16" LONG ADJ.
8	05S00002	LOWER TORQUE ROD	1	29 3/16" LONG ADJ.
9	05S00002	LOWER TORQUE ROD	1	29 3/16" LONG ADJ.
10	05S00002	LOWER TORQUE ROD	1	29 3/16" LONG ADJ.
11	02S00074	UPPER FRAME BRACKETS	4	
12	800055	SPIGOT CAP #2 JOINT	16	
13	800010	BUSHING #2 JOINT	16	STANDARD
	800009	BUSHING #2 JOINT	16	OVERSIZED/SERVICE
14	02P00166	SPACER	2	
15	48045	REBOUND STOP	2	
16	SEE TABLE	TOWER	2	
17	SEE TABLE	TOWER BASE	2	
18	SEE TABLE	TOWER BASE GUSSET	4	
19	SEE TABLE	SADDLE	2	LHF/RHR
20	SEE TABLE	SADDLE	2	RHF/LHR
21	SEE TABLE	TORQUE ROD AXLE BRACKET	2	LHF/RHR
22	SEE TABLE	TORQUE ROD AXLE BRACKET	2	RHF/LHR
23	HDW 388	5/8" NC X 6.0" LG BOLT	8	
24	HDW 382	5/8" NC X 5.5" LG BOLT	16	
25	HDW 380	5/8" NC X 3.5" LG BOLT	8	
26	HDW 313	5/8" NC X 2.0" LG BOLT	8	
27	HDW 336	3/8" NC X 1.0" LG BOLT	4	
28	HDW 379	5/8" NC LOCKNUT	40	
29	HDW 133	3/8" NC LOCKNUT	4	

CHALMERS 800 SERIES SUSPENSION
100,000 LBS PARTS LISTING
72" AXLE SPREAD

ITEM NO.	PART NO.	DESCRIPTION	QTY	COMMENTS
1	SEE TABLE	HANGER ASSEMBLY	2	
2	SEE TABLE	BEAM	2	
3	SEE TABLE	SPRING PLATE	2	
4	15026	#26 LOADGUARD SPRING	2	
5	07S00001	#26 RESTRICTOR CAN H/D	2	
6	805131	UPPER TORQUE ROD	8	13 1/8" LONG
7	05S00086	LOWER TORQUE ROD	1	32 1/16" LONG ADJ.
8	05S00086	LOWER TORQUE ROD	1	32 1/16" LONG ADJ.
9	05S00086	LOWER TORQUE ROD	1	32 1/16" LONG ADJ.
10	05S00086	LOWER TORQUE ROD	1	32 1/16" LONG ADJ.
11	02S00074	UPPER FRAME BRACKETS	4	
12	800055	SPIGOT CAP #2 JOINT	16	
13	800010	BUSHING #2 JOINT	16	STANDARD
	800009	BUSHING #2 JOINT	16	OVERSIZED/SERVICE
14	02P00166	SPACER	2	
15	48045	REBOUND STOP	2	
16	SEE TABLE	TOWER	2	
17	SEE TABLE	TOWER BASE	2	
18	SEE TABLE	TOWER BASE GUSSET	4	
19	SEE TABLE	SADDLE	2	LHF/RHR
20	SEE TABLE	SADDLE	2	RHF/LHR
21	SEE TABLE	TORQUE ROD AXLE BRACKET	2	LHF/RHR
22	SEE TABLE	TORQUE ROD AXLE BRACKET	2	RHF/LHR
23	HDW 388	5/8" NC X 6.0" LG BOLT	8	
24	HDW 382	5/8" NC X 5.5" LG BOLT	16	
25	HDW 380	5/8" NC X 3.5" LG BOLT	8	
26	HDW 313	5/8" NC X 2.0" LG BOLT	8	
27	HDW 336	3/8" NC X 1.0" LG BOLT	4	
28	HDW 379	5/8" NC LOCKNUT	40	
29	HDW 133	3/8" NC LOCKNUT	4	

CHALMERS 800 SERIES SUSPENSIONS
 100,000 LBS FRAME HANGER ASSEMBLIES
 65" AXLE SPREAD

FRAME HANGER PART NO RH/LH	FRONT AXLE PINION ANGLE	REAR AXLE PINION ANGLE	COMMENTS
02S00070	0 DEG	0 DEG	
02S00113 / 02S00114	2.5 DEG	2.5 DEG	
02S00307 / 02S00308	2.5 DEG	2.5 DEG	48" BEAM CENTRES

CHALMERS 800 SERIES SUSPENSIONS
 100,000 LBS FRAME HANGER ASSEMBLIES
 72" AXLE SPREAD

FRAME HANGER PART NO RH/LH	FRONT AXLE PINION ANGLE	REAR AXLE PINION ANGLE	COMMENTS
02S00469	0 DEG	0 DEG	
02S00525 / 02S00526	2.5 DEG	2.5 DEG	

CHALMERS 800 SERIES BEAMS & SPRING PLATES
 100,000 LBS CAPACITY, 65" AXLE SPREAD

65" BEAM	SPRING PLATE	DESCRIPTION	COMMENTS
04S00009	04S00010	HIGH MOUNT	
04S00014	04S00010	LOW MOUNT	
04S00016	04S00010	X-LOW MOUNT	

CHALMERS 800 SERIES BEAMS & SPRING PLATES
 100,000 LBS CAPACITY, 72" AXLE SPREAD

72" BEAM	SPRING PLATE	DESCRIPTION	COMMENTS
04S00094	04S00010	HIGH MOUNT	
04S00100	04S00010	LOW MOUNT	
		X-LOW MOUNT	

CHALMERS 800 SERIES TOWERS 100,000 LBS CAPACITY

TOWER PART NO.	AXLE MODEL
03S00121	SISU
03S00206	STANDARD USED ON MOST AXLES

* NO TOWER BASE REQUIRED WITH SISU AXLE

CHALMERS 800 SERIES TOWER BASE 100,000 LBS CAPACITY

TOWER BASE PART NO.	BASE GUSSET 2 REQ'D PER BASE	AXLE MODEL
03S00143	03P00206	CLARK BD 91000
03S00222	03P00181	ROCKWELL SPRC 1735
03S00222	03P00206	CLARK BD 71000
03S00240	03P00402	ROCKWELL SPRC 1927

CHALMERS 800 SERIES SADDLES 100,000 LBS CAPACITY

LHF/RHR SADDLE	RHF/LHR SADDLE	AXLE MODEL
03S00115	03S00115	SISU
03S00116	03S00116	ROCKWELL SPRC 1735
03S00142	03S00142	CLARK BD 91000
03S00176	03S00176	ROCKWELL SPRC 1927
03S00221	03S00221	CLARK CD 71000

CHALMERS 800 SERIES TORQUE ROD AXLE BRACKETS 100,000 LBS CAPACITY

LHF/RHR BRACKET	RHF/LHR BRACKET	AXLE MODEL
03S00118	03S00117	ROCKWELL SPRC 1735
03S00120	03S00119	SISU
03S00141	03S00140	CLARK BD 91000
03S00178	03S00177	ROCKWELL SPRC 1927
03S00220	03S00219	CLARK BD 71000