

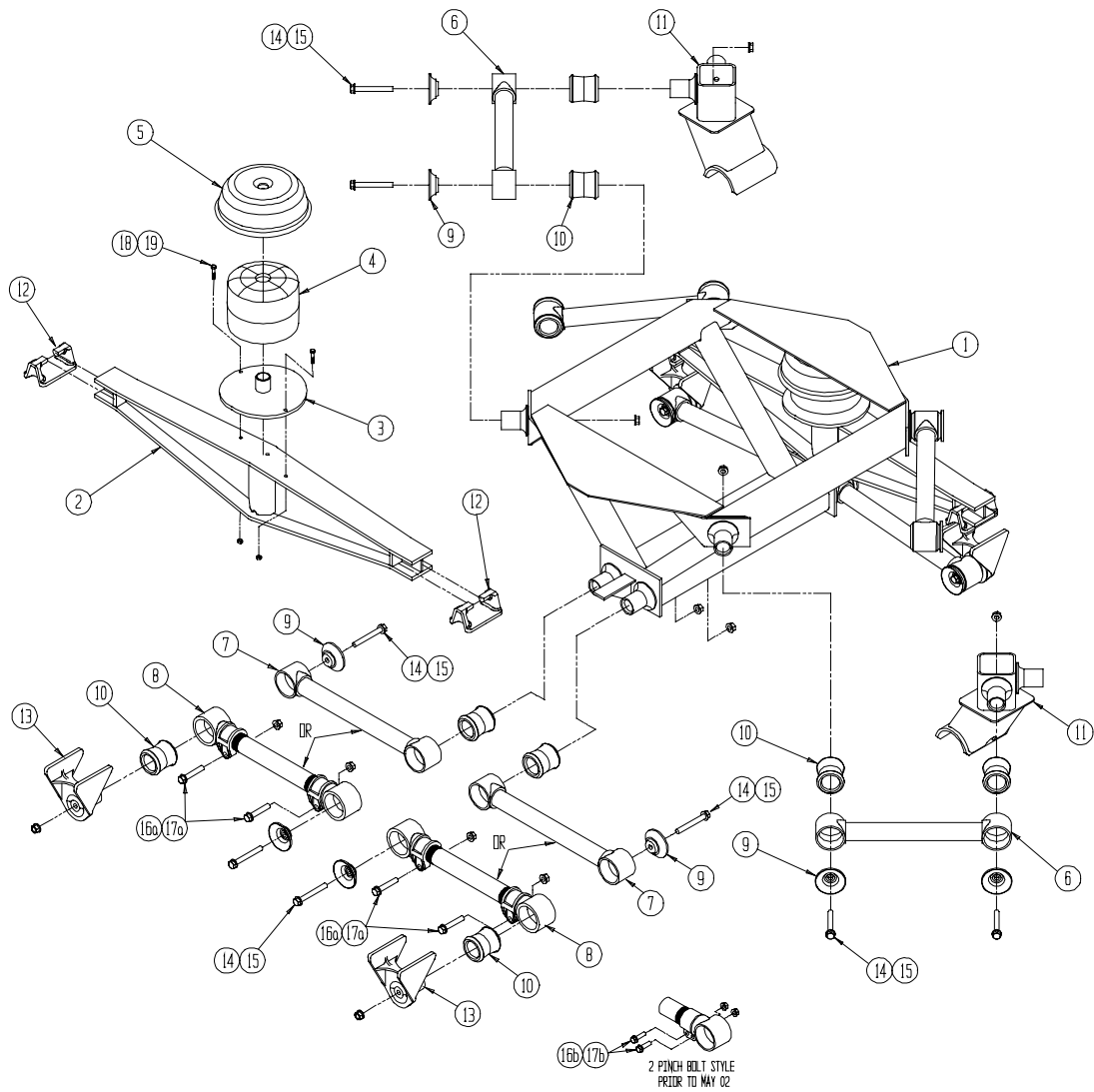


# **700 SERIES 46K & 60K PARTS MANUAL**

CHALMERS SUSPENSIONS INTERNATIONAL INC  
6400 NORTHAM DRIVE  
MISSISSAUGA, ONTARIO, CANADA  
L4V 1J1

(905) 362-6400 PHONE

(905) 362-6401 FAX



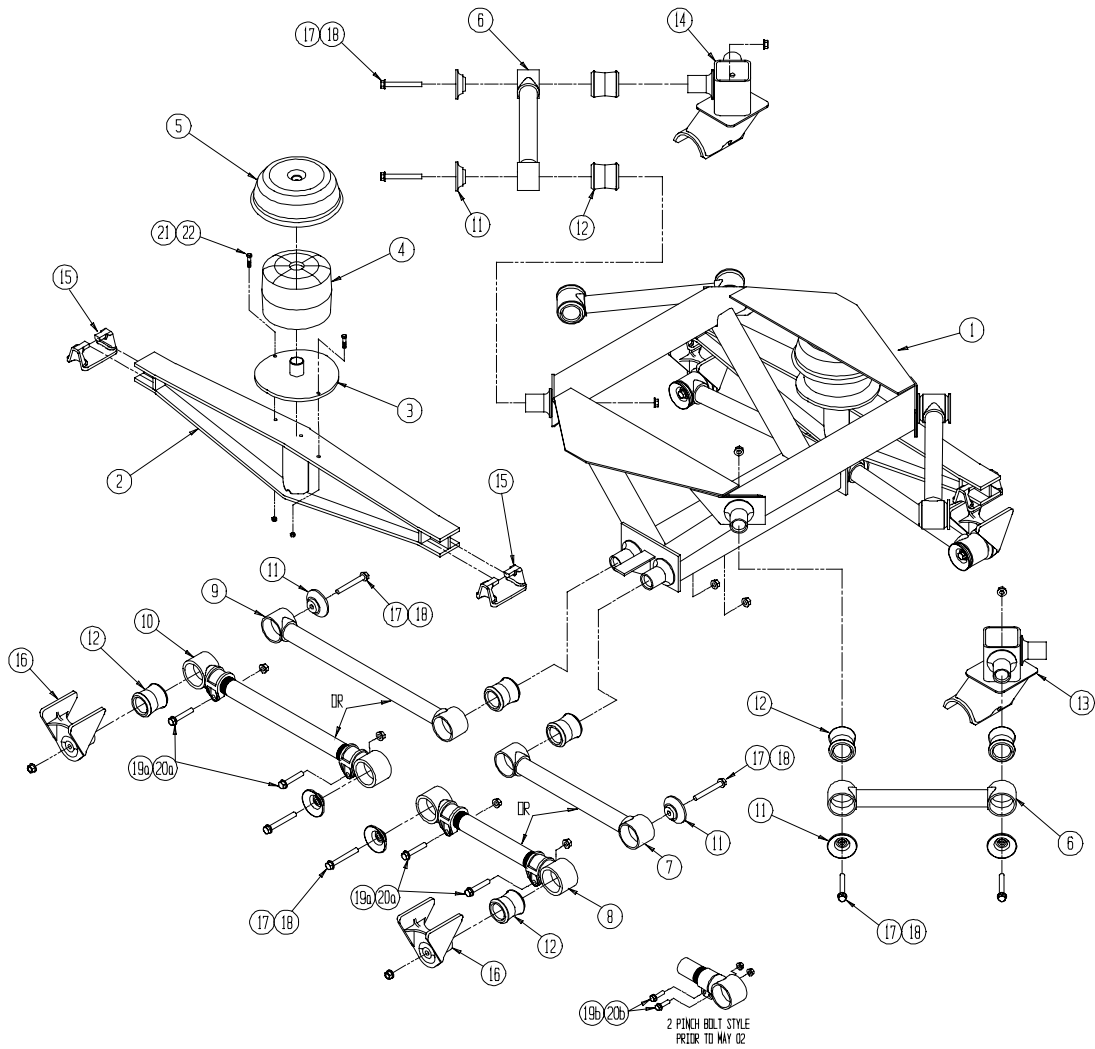
Chalmers Suspensions 700 Series 46,000 lbs. Tandem Trailer Suspension  
54" & 72" Axle Spacing

CHALMERS 700 SERIES SUSPENSION  
46,000 LBS PARTS LISTING  
54" AND 72 " AXLE SPEAD

ITEM NO.	PART NO.	DESCRIPTION	QTY	COMMENTS
1	700334	SAWHORSE, LOW	1	
	700335	SAWHORSE, LOW WIDE	1	
	700338	SAWHORSE, HIGH	1	
	700339	SAWHORSE, HIGH WIDE	1	
2	700083	BEAM 54"	2	
	700085	BEAM 72"	2	
3	700204	BEAM SPRING PLATE	2	54" SPREAD
	700203	BEAM SPRING PLATE	2	72" SPREAD
4	15002	#20 LOADGUARD SPRING	2	
5	373028	#28 RESTRICTOR CAN	2	
6	223214	UPPER TORQUE ROD	4	21 1/2" LONG
7	223240	LOWER TORQUE ROD	2	24" LG, 54" SPREAD
	223330	LOWER TORQUE ROD	2	33" LG, 72" SPREAD
8	216240	LOWER TORQUE ROD	2	24" LG, ADJ, 54" SPRD
	216330	LOWER TORQUE ROD	2	33" LG, ADJ, 72" SPRD
9	800201	SPIGOT CAP #1 JOINT	16	
10	22128	BUSHING #1 JOINT	16	STANDARD
	22129	BUSHING #1 JOINT	16	OVERSIZED/SERVICE
11	700337	TOWER, OUTBOARD	2	54" SPREAD
	700336	TOWER, INBOARD	2	72" SPREAD
12	222083	SADDLE	4	
13	700333	TORQUE ROD AXLE BRKT	4	
14	HDW 381	5/8" NC X 5.0" LG BOLT	16	
15	HDW 379	5/8" NC LOCKNUT	16	
16a	HDW 380	5/8" NC X 3.5" LG BOLT	4	SUPPLIED WITH T/ROD
17a	HDW 379	5/8" NC LOCKNUT	4	SUPPLIED WITH T/ROD
16b	HDW 397	1/2" NC X 1.75" LG BOLT	8	SUPPLIED WITH T/ROD
17b	HDW 393	1/2" NC LOCKNUT	8	SUPPLIED WITH T/ROD
18	HDW 361	3/8" NC X 1.75" LG BOLT	4	
19	HDW 333	3/8" NC LOCKNUT	4	

Notes:

- a – Single pinch bolt style torque rod end put into production May/02
- b – Double pinch bolt style torque rod end used prior to May/02



Chalmers Suspensions 700 Series 46,000 lbs. Tandem Trailer Suspension  
63" Axle Spacing

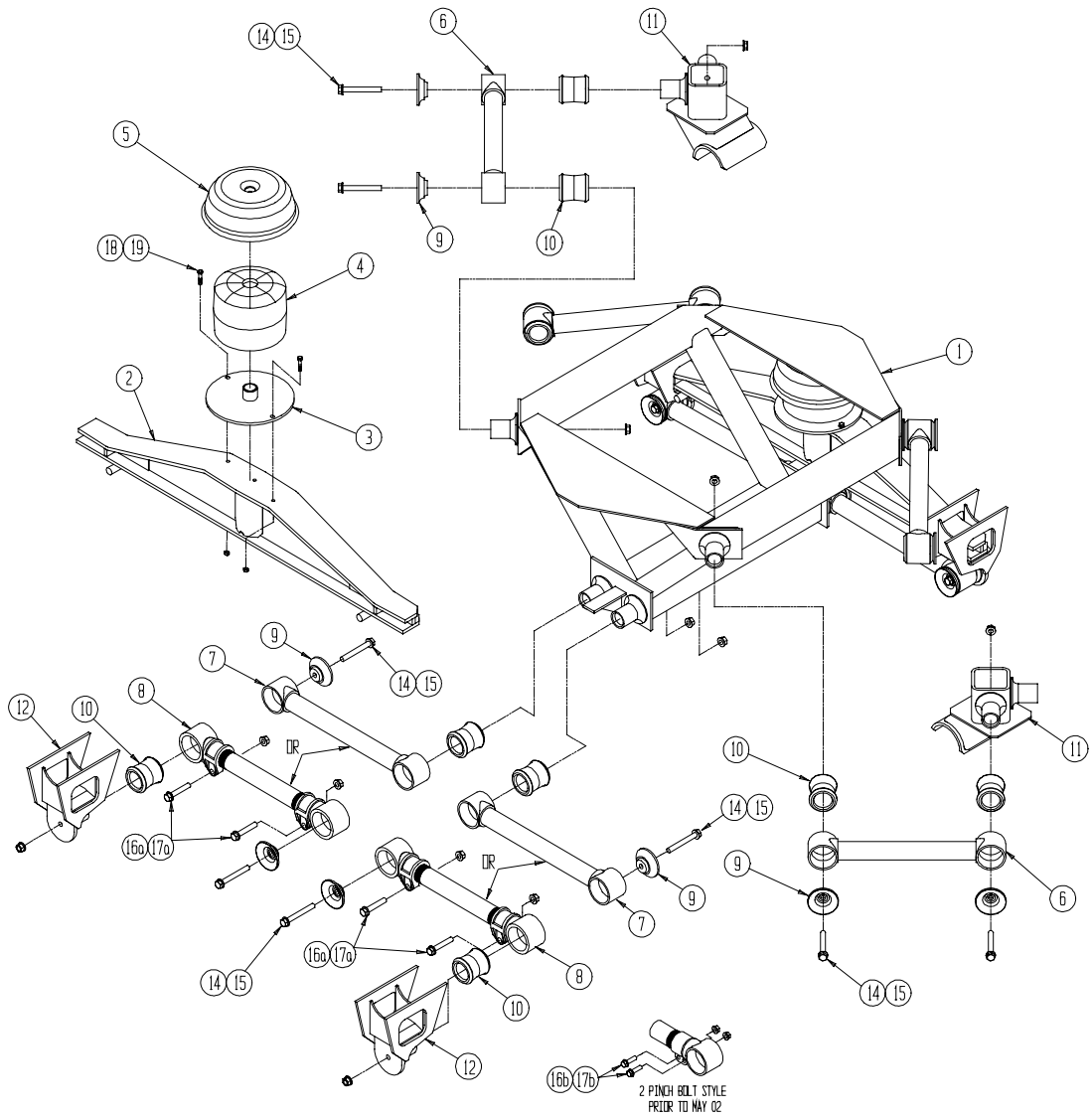
CHALMERS 700 SERIES SUSPENSION  
46,000 LBS PARTS LISTING  
63 " AXLE SPEAD

ITEM NO.	PART NO.	DESCRIPTION	QTY	COMMENTS
1	700517	SAWHORSE, LOW	1	ALSO LOW WIDE
	700535	SAWHORSE, HIGH	1	
	700518	SAWHORSE, HIGH WIDE	1	
2	700084	BEAM 63"	2	
3	700204	BEAM SPRING PLATE	2	
4	15002	#20 LOADGUARD SPRING	2	
5	373028	#28 RESTRICTOR CAN	2	
6	223214	UPPER TORQUE ROD	4	21 1/2" LONG
7	223240	LOWER TORQUE ROD	1	24" LONG
8	216240	LOWER TORQUE ROD	1	24" LONG, ADJ.
9	223330	LOWER TORQUE ROD	1	33" LONG
10	216330	LOWER TORQUE ROD	1	33" LONG, ADJ.
11	800201	SPIGOT CAP #1 JOINT	16	
12	22128	BUSHING #1 JOINT	16	STANDARD
	22129	BUSHING #1 JOINT	16	OVERSIZED/SERVICE
13	700337	TOWER, OUTBOARD	1	
14	700336	TOWER, INBOARD	1	
15	222083	SADDLE	4	
16	700333	TORQUE ROD AXLE BRKT	4	
17	HDW 381	5/8" NC X 5.0" LG BOLT	16	
18	HDW 379	5/8" NC LOCKNUT	16	
19a	HDW 380	5/8" NC X 3.5" LG BOLT	4	SUPPLIED WITH T/ROD
20a	HDW 379	5/8" NC LOCKNUT	4	SUPPLIED WITH T/ROD
19b	HDW 397	1/2" NC X 1.75" LG BOLT	8	SUPPLIED WITH T/ROD
20b	HDW 393	1/2" NC LOCKNUT	8	SUPPLIED WITH T/ROD
21	HDW 361	3/8" NC X 1.75" LG BOLT	4	
22	HDW 333	3/8" NC LOCKNUT	4	

Notes:

a – Single pinch bolt style torque rod end put into production May/02

b – Double pinch bolt style torque rod end used prior to May/02



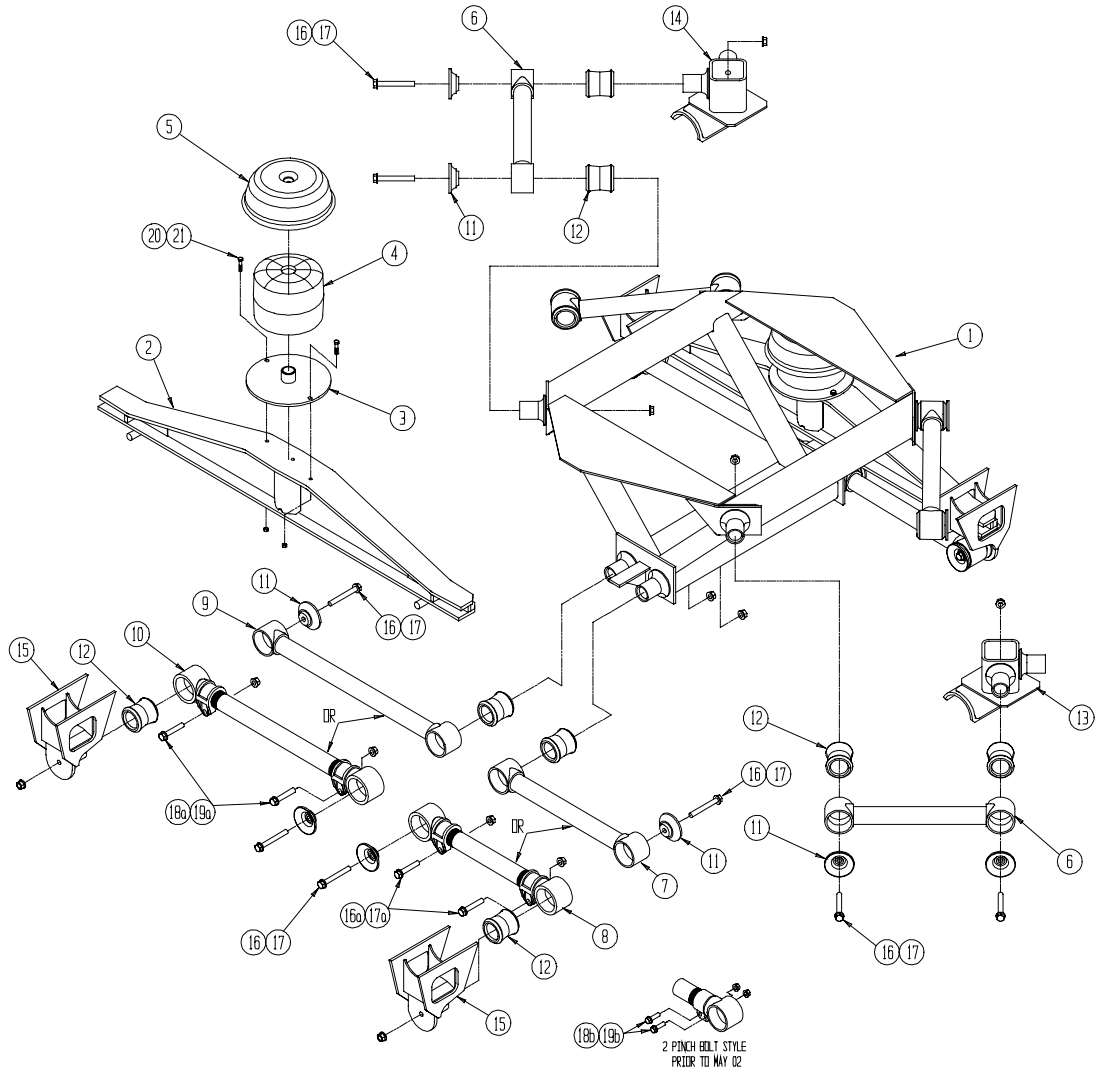
Chalmers Suspensions 700 Series 46,000 lbs. Tandem Trailer Suspension  
X-Low Mount, 54" and 72" Axle Spacing

CHALMERS 700 SERIES SUSPENSION  
X-LOW 46,000 LBS PARTS LISTING  
54" AND 72 " AXLE SPREAD

ITEM NO.	PART NO.	DESCRIPTION	QTY	COMMENTS
1	700334	SAWHORSE, LOW	1	
	700335	SAWHORSE, LOW WIDE	1	
2	700441	BEAM 54" X-LOW	2	
	700274	BEAM 72" X-LOW	2	
3	700062	BEAM SPRING PLATE	2	
4	15002	#20 LOADGUARD SPRING	2	
5	373028	#28 RESTRICTOR CAN	2	
6	223214	UPPER TORQUE ROD	4	21 1/2" LONG
	700255	UPPER T/ROD CURVED (OPT)	4	OPTIONAL
7	223240	LOWER TORQUE ROD	2	24" LG, 54" SPREAD
	223330	LOWER TORQUE ROD	2	33" LG, 72" SPREAD
8	216240	LOWER TORQUE ROD	2	24" LG, ADJ, 54" SPRD
	216330	LOWER TORQUE ROD	2	33" LG, ADJ, 72" SPRD
9	800201	SPIGOT CAP #1 JOINT	16	
10	22128	BUSHING #1 JOINT	16	STANDARD
	22129	BUSHING #1 JOINT	16	OVERSIZED/SERVICE
11	700497	TOWER, OUTBOARD	2	54" SPREAD
	700498	TOWER, INBOARD	2	72" SPREAD
12	700496	T/ROD AXLE BRKT /SADDLE	4	STD TRACK
	700557	T/ROD AXLE BRKT /SADDLE	4	WIDE TRACK
14	HDW 381	5/8" NC X 5.0" LG BOLT	16	
15	HDW 379	5/8" NC LOCKNUT	16	
16a	HDW 380	5/8" NC X 3.5" LG BOLT	4	SUPPLIED WITH T/ROD
17a	HDW 379	5/8" NC LOCKNUT	4	SUPPLIED WITH T/ROD
16b	HDW 397	1/2" NC X 1.75" LG BOLT	8	SUPPLIED WITH T/ROD
17b	HDW 393	1/2" NC LOCKNUT	8	SUPPLIED WITH T/ROD
18	HDW 361	3/8" NC X 1.75" LG BOLT	4	
19	HDW 333	3/8" NC LOCKNUT	4	

Notes:

- a – Single pinch bolt style torque rod end put into production May/02
- b – Double pinch bolt style torque rod end used prior to May/02



Chalmers Suspensions 700 Series 46,000 lbs. Tandem Trailer Suspension  
X-Low Mount, 63" Axle Spacing



CHALMERS 700 SERIES SUSPENSION  
X-LOW 46,000 LBS PARTS LISTING  
63 " AXLE SPEAD

ITEM NO.	PART NO.	DESCRIPTION	QTY	COMMENTS
1	700517	SAWHORSE, LOW	1	STD & WIDE TRACK
2	700323	BEAM 63" X-LOW	2	
3	700062	BEAM SPRING PLATE	2	
4	15002	#20 LOADGUARD SPRING	2	
5	373028	#28 RESTRICTOR CAN	2	
6	223214	UPPER TORQUE ROD	4	21 1/2" LONG
	700255	UPPER T/ROD CURVED (OPT)	4	OPTIONAL
7	223240	LOWER TORQUE ROD	2	24" LONG
8	216240	LOWER TORQUE ROD	2	24" LONG, ADJ.
9	223330	LOWER TORQUE ROD	2	33" LONG
10	216330	LOWER TORQUE ROD	2	33" LONG, ADJ.
11	800201	SPIGOT CAP #1 JOINT	16	
12	22128	BUSHING #1 JOINT	16	STANDARD
	22129	BUSHING #1 JOINT	16	OVERSIZED/SERVICE
13	700497	TOWER, OUTBOARD	1	
14	700498	TOWER, INBOARD	1	
15	700496	T/ROD AXLE BRKT /SADDLE	4	STD TRACK
	700557	T/ROD AXLE BRKT /SADDLE	4	WIDE TRACK
16	HDW 381	5/8" NC X 5.0" LG BOLT	16	
17	HDW 379	5/8" NC LOCKNUT	16	
18a	HDW 380	5/8" NC X 3.5" LG BOLT	4	SUPPLIED WITH T/ROD
19a	HDW 379	5/8" NC LOCKNUT	4	SUPPLIED WITH T/ROD
18b	HDW 397	1/2" NC X 1.75" LG BOLT	8	SUPPLIED WITH T/ROD
19b	HDW 393	1/2" NC LOCKNUT	8	SUPPLIED WITH T/ROD
20	HDW 361	3/8" NC X 1.75" LG BOLT	4	
21	HDW 333	3/8" NC LOCKNUT	4	

Notes:

- a – Single pinch bolt style torque rod end put into production May/02
- b – Double pinch bolt style torque rod end used prior to May/02

CHALMERS 700 SERIES SUSPENSION  
60,000 LBS PARTS LISTING  
54" AND 72 " AXLE SPREAD

ITEM NO.	PART NO.	DESCRIPTION	QTY	COMMENTS
1	700183	SAWHORSE, HIGH	1	
	700187	SAWHORSE, HIGH WIDE	1	
2	700083	BEAM 54"	2	
	700085	BEAM 72"	2	
3	700204	BEAM SPRING PLATE	2	
4	15002	#20 LOADGUARD SPRING	2	
5	373028	#28 RESTRICTOR CAN	2	
6	805214	UPPER TORQUE ROD	4	21 1/2" LONG
7	805240	LOWER TORQUE ROD	2	24" LG, 54" SPREAD
	805330	LOWER TORQUE ROD	2	33" LG, 72" SPREAD
8	807240	LOWER TORQUE ROD	2	24" LG, ADJ, 54" SPRD
	807330	LOWER TORQUE ROD	2	33" LG, ADJ, 72" SPRD
9	800055	SPIGOT CAP #2 JOINT	16	
10	800010	BUSHING #2 JOINT	16	STANDARD
	800009	BUSHING #2 JOINT	16	OVERSIZED/SERVICE
11	700198	TOWER, OUTBOARD	2	54" SPREAD, 5" AXLE
	700199	TOWER, OUTBOARD	2	54" SPREAD, 5.75" AXLE
	700194	TOWER, INBOARD	2	72" SPREAD, 5" AXLE
	700196	TOWER, INBOARD	2	72" SPREAD, 5.75" AXLE
12	222083	SADDLE	4	
13	700189	TORQUE ROD AXLE BRKT	4	5" ROUND AXLE
	700190	TORQUE ROD AXLE BRKT	4	5.75" ROUND AXLE
14	HDW 382	5/8" NC X 5.5" LG BOLT	16	
15	HDW 379	5/8" NC LOCKNUT	16	
16	HDW 380	5/8" NC X 3.5" LG BOLT	4	SUPPLIED WITH T/ROD
17	HDW 379	5/8" NC LOCKNUT	4	SUPPLIED WITH T/ROD
18	HDW 361	3/8" NC X 1.75" LG BOLT	4	
19	HDW 333	3/8" NC LOCKNUT	4	

CHALMERS 700 SERIES SUSPENSION  
60,000 LBS PARTS LISTING  
63 " AXLE SPEAD

ITEM NO.	PART NO.	DESCRIPTION	QTY	COMMENTS
1	700384	SAWHORSE, HIGH	1	ALSO HIGH WIDE
2	700084	BEAM 63"	2	
3	700204	BEAM SPRING PLATE	2	
4	15002	#20 LOADGUARD SPRING	2	
5	373028	#28 RESTRICTOR CAN	2	
6	805214	UPPER TORQUE ROD	4	21 1/2" LONG
7	805240	LOWER TORQUE ROD	1	24" LG, 54" SPREAD
8	805330	LOWER TORQUE ROD	1	33" LG, 72" SPREAD
9	807240	LOWER TORQUE ROD	1	24" LG, ADJ, 54" SPRD
10	807330	LOWER TORQUE ROD	1	33" LG, ADJ, 72" SPRD
11	800055	SPIGOT CAP #2 JOINT	16	
12	800010	BUSHING #2 JOINT	16	STANDARD
	800009	BUSHING #2 JOINT	16	OVERSIZED/SERVICE
13	700198	TOWER, OUTBOARD	1	5" ROUND AXLE
	700199	TOWER, OUTBOARD	1	5.75" ROUND AXLE
14	700194	TOWER, INBOARD	1	5" ROUND AXLE
	700196	TOWER, INBOARD	1	5.75" ROUND AXLE
15	222083	SADDLE	4	
16	700189	TORQUE ROD AXLE BRKT	4	5" ROUND AXLE
	700190	TORQUE ROD AXLE BRKT	4	5.75" ROUND AXLE
17	HDW 382	5/8" NC X 5.5" LG BOLT	16	
18	HDW 379	5/8" NC LOCKNUT	16	
19	HDW 380	5/8" NC X 3.5" LG BOLT	4	SUPPLIED WITH T/ROD
20	HDW 379	5/8" NC LOCKNUT	4	SUPPLIED WITH T/ROD
21	HDW 361	3/8" NC X 1.75" LG BOLT	4	
22	HDW 333	3/8" NC LOCKNUT	4	