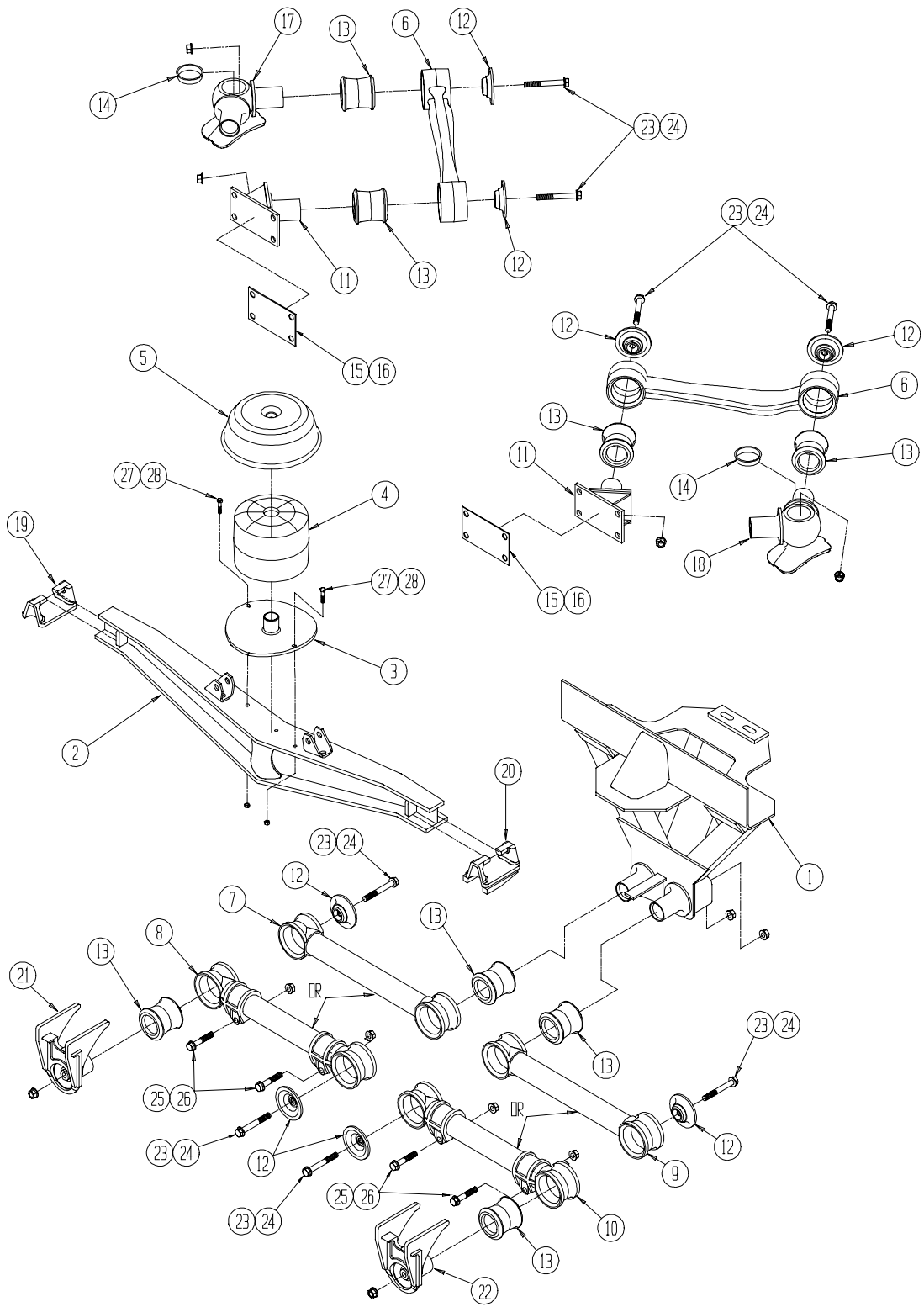




800 SERIES 46K PARTS MANUAL

CHALMERS SUSPENSIONS INTERNATIONAL INC
6400 NORTHAM DRIVE
MISSISSAUGA, ONTARIO, CANADA
L4V 1J1

(905) 362-6400 PHONE (905) 362-6401 FAX



Chalmers Suspensions 800 Series 46,000 lbs. Tandem Truck Suspension

CHALMERS 800 SERIES SUSPENSION
46,000 LBS PARTS LISTING

ITEM	PART NO.	DESCRIPTION	QTY	COMMENTS
1	800216	TRIANGULAR FRAME	2	46,000 LBS, BLANK
2	SEE TABLE	BEAM	2	
3	SEE TABLE	BEAM SPRING PLATE	2	
4	15002	#20 LOADGUARD SPRING	2	
5	373028	#28 RESTRICTOR CAN	2	STANDARD
	373029	#29 RESTRICTOR CAN	2	HIGH STABILITY
6	800049	UPPER TORQUE ROD	4	24 1/4" LONG CURVED
7	SEE TABLE	LOWER TORQUE ROD	1	
8	SEE TABLE	LOWER TORQUE ROD	1	
9	SEE TABLE	LOWER TORQUE ROD	1	
10	SEE TABLE	LOWER TORQUE ROD	1	
11	800057	UPPER FRAME BRACKET	4	
	800735	UPPER FRAME BRACKET	4	WESTERN STAR
12	800055	SPIGOT CAP #2 JOINT	16	
13	800010	BUSHING #2 JOINT	16	STANDARD
	800009	BUSHING #2 JOINT	16	OVERSIZED/SERVICE
14	800230	TOWER PLUG	2	
15	800056	SHIM	VAR	1/8" THICK
16	800143	SHIM	VAR	1/16" THICK
17	SEE TABLE	TOWER FORWARD AXLE	1	
18	SEE TABLE	TOWER REAR AXLE	1	
19	SEE TABLE	SADDLE	2	LHF/RHR
20	SEE TABLE	SADDLE	2	RHF/LHR
21	SEE TABLE	TORQUE ROD AXLE BRKT	2	LHF/RHR
22	SEE TABLE	TORQUE ROD AXLE BRKT	2	RHF/LHR
23	HDW 382	5/8" NC X 5.5" LG BOLT	16	HARDWARE KIT
24	HDW 379	5/8" NC LOCKNUT	16	HARDWARE KIT
25	HDW 380	5/8" NC X 3.5" LG BOLT	4	SUPPLIED WITH T/ROD
26	HDW 379	5/8" NC LOCKNUT	4	SUPPLIED WITH T/ROD
27	HDW 361	3/8" NC X 1.75" LG BOLT	4	HARDWARE KIT
28	HDW 333	3/8" NC LOCKNUT	4	HARDWARE KIT

CHALMERS 800 SERIES BEAMS & SPRING PLATES

BEAM PART NO	SPRING PLATE PART NO	BEAM CAPACITY	AXLE SPREAD	MOUNTING HEIGHT
800087	800691	46,000 LBS	54"	LOW
800061	800689	46,000 LBS	54"	HIGH
800083	800687	46,000 LBS	60"	LOW
800111	800685	46,000 LBS	60"	HIGH
800202	800685	46,000 LBS	72"	LOW
800029	04S00086	46,000 LBS	72"	HIGH

Notes: 800117 Spring Plate replaced by 800689
 800119 Spring Plate replaced by 800685
 800125 Spring Plate replaced by 800691
 800127 Spring Plate replaced by 800687
 800417 Spring Plate replaced by 04S00086

CHALMERS 800 SERIES SHIM KITS

SHIM KIT NUMBER	INSIDE FRAME WIDTH	800143 QTY 1/16" THK SHIM	800056 QTY 1/8" THK SHIM
K880132	32 1/2	0	0
K880133	32 5/8	4	0
K880134	32 3/4	0	4
K880135	32 7/8	4	4
K880136	33	0	8
K880137	33 1/8	4	8
K880138	33 1/4	0	12
K880139	33 3/8	4	12
K880140	33 1/2	0	16
K880141	33 5/8	4	16
K880142	33 3/4	0	20

CHALMERS 800 SERIES TOWERS 46,000 LBS CAPACITY

FORWARD TOWER	REAR TOWER	AXLE MODEL
800077	800075	MERITOR(ROCKWELL); SQHD SPICER; G400S, M460S
800178	800179	MERITOR(ROCKWELL); SSHD
800321	800322	DANA(EATON); 380,400,401,404,405,440,451,454,460,462,463 521, D52-190 MERITOR(ROCKWELL); RT 40-140, RT 44-145
800342	800302	DANA(EATON); D40-170, D46-170 MERITOR(ROCKWELL); RT 52-160, RT 52-180, RT 58-180 SQ100,SQR100,SQHP,ST170,SU170
800394	800393	MERITOR(ROCKWELL); RT 48-180, SR170
800507	800506	MERITOR(ROCKWELL); STHD, SUHD
800757	800758	MERITOR(ROCKWELL); RT 46-160, RT 50-160

CHALMERS 800 SERIES TORQUE ROD AXLE BRACKETS 46,000 LBS CAPACITY

LHF/RHR BRACKET	RHF/LHR BRACKET	AXLE MODEL
800395	800398	MERITOR(ROCKWELL); STHD, SUHD
800531	800531	MERITOR(ROCKWELL); SQHD
800534	800533	MERITOR(ROCKWELL); RT 52-160, RT 52-180, RT 58-180 SU170, ST170
800537	481577	MERITOR(ROCKWELL); RT 46-160, RT 50-160
800537	800535	MERITOR(ROCKWELL); SSHD
800537	800536	MERITOR(ROCKWELL); RT 48-180, SR170, SQHP SQ100, SQR100
800537	800540	DANA(EATON); 462,463
800537	800774	MERITOR(ROCKWELL); RT 40-145, RT 44-145
800537	03S00604	DANA(EATON); D40-170, D46-170
800539	800538	DANA(EATON); 440,460,480
800540	800540	SPICER; G400S, M460S
800774	800774	DANA(EATON); 404,405, 454
800793	800794	DANA(EATON); 521, D52-190

LHF/RHR – LEFT HAND FRONT/ RIGHT HAND REAR
RHF/LHR – RIGHT HAND FRONT/ LEFT HAND REAR

CHALMERS 800 SERIES SADDLES 40,000 LBS CAPACITY

LHF/RHR SADDLE	RHF/LHR SADDLE	AXLE MODEL
222083	222083	ALL MODELS EXCEPT WHERE NOTED BELOW
222083	222163	DANA(EATON); 521, D52-190
222083	248001	MERITOR(ROCKWELL); RT 48-180, RT52-160, RT52-180 RT 58-180,SQHP,SSHD,STHD,SUHD SQ100,SQR100,SR170,ST170,SU170
222083	248027	DANA(EATON); 380,400,401,402,403,440,460,480
222083	03P00072	DANA(EATON); 462,463, DSS40, D40-170, D46-170 MERITOR(ROCKWELL); RT 40-145, RT 44-145

LHF/RHR – LEFT HAND FRONT/ RIGHT HAND REAR

RHF/LHR – RIGHT HAND FRONT/ LEFT HAND REAR

CHALMERS 800 SERIES SHOCK ABSORBER KITS & PARTS

	STANDARD SHOCK KIT	STANDARD SHOCK KIT 50K	HD SHOCK KIT HIGH MOUNT	HD SHOCK KIT LOW MOUNT	HD SHOCK KIT HIGH MOUNT†
KIT NUMBERS	K800199	K880233	K880247	K880248	K880642
SHOCK ABSORBER	665174 (4)	665174(4)	800670(2)	800781(2)	800670(2)
UPPER SHOCK BRKT	800154(4)	800154(4)	800778(2)	800778(2)	02S00036(2)
LOWER SHK BRKT RH			800779(1)	800779(1)	800779(1)
LOWER SHK BRKT LH			800780(1)	800780(1)	800780(1)
BOLT 3/4 x 5.5 LG	HDW 372(4)				
BOLT 3/4 x 3.5 LG	HDW 375(4)	HDW 375(4)			
BOLT 3/4 x 6 LG		HDW 376(4)			
LOCKNUT 3/4	HDW 018(8)	HDW 018(8)			
LOCKNUT 7/8			HDW 386(4)	HDW 386(4)	HDW 386(4)
WASHER 3/4 x 1/8 thk	HDW 031(8)	HDW 031(8)			
WASHER 3/4 x 1/4 thk		HDW 036(4)			
WASHER 7/8 x 3/16 thk			HDW 327(4)	HDW 327(4)	HDW 327(4)
SLEEVE			800782(4)	800782(4)	800782(4)

† USED BY WESTERN STAR TRUCKS ONLY

**FORWARD AXLE LOWER TORQUE ROD KIT
800 SERIES, 54" SPREAD, 46,000 LBS CAPACITY**

KIT NO	DEGREES	FIXED LENGTH	T/ROD FIXED	T/ROD ADJUST
K880042	0	24 1/4	805242	807244
K880043	1	24 1/2	805244	807244
K880044	2	24 3/4	805246	807250
K880045	3	25	805250	807250
K880046	4	25 1/4	805252	807254
K880047	5	25 1/2	805254	807254

**REAR AXLE LOWER TORQUE ROD KIT
800 SERIES, 54" SPREAD, 46,000 LBS CAPACITY**

KIT NO	DEGREES	FIXED LENGTH	T/ROD FIXED	T/ROD ADJUST
K880096	0	24 1/4	805242	807242
K880097	1	24 1/8	805241	807242
K880098	2	23 7/8	805237	807236
K880099	3	23 5/8	805235	807236
K880100	4	23 3/8	805233	807232
K880101	5	23 1/8	805231	807232
K880102	6	23	805230	807230
K880103	7	22 3/4	805226	807226
K880104	8	22 1/2	805224	807224
K880105	9	22 1/4	805222	807220
K880106	10	22	805220	807220
K880107	11	21 3/4	805216	807216
K880162	12	21 5/8	805215	807214
K880163	13	21 3/8	805213	807212
K880164	14	21 1/8	805211	807210

**FORWARD AXLE LOWER TORQUE ROD KIT
800 SERIES, 60" SPREAD, 46,000 LBS CAPACITY**

KIT NO	DEGREES	FIXED LENGTH	T/ROD FIXED	T/ROD ADJUST
K880048	0	27 1/4	805272	807274
K880049	1	27 1/2	805274	807274
K880050	2	27 3/4	805276	807280
K880051	3	28	805280	807280
K880052	4	28 1/4	805282	807284
K880053	5	28 1/2	805284	807284

**REAR AXLE LOWER TORQUE ROD KIT
800 SERIES, 60" SPREAD, 46,000 LBS CAPACITY**

KIT NO	DEGREES	FIXED LENGTH	T/ROD FIXED	T/ROD ADJUST
K880108	0	27 1/4	805272	807272
K880109	1	27 1/8	805271	807272
K880110	2	26 7/8	805267	807266
K880111	3	26 5/8	805265	807266
K880112	4	26 1/2	805264	807262
K880113	5	26 1/4	805262	807262
K880114	6	26	805260	807260
K880115	7	25 3/4	805256	807256
K880116	8	25 1/2	805254	807254
K880117	9	25 1/4	805252	807252
K880118	10	25	805250	807250
K880119	11	24 3/4	805246	807246
K880165	12	24 5/8	805245	807244
K880166	13	24 3/8	805243	807242

**FORWARD AXLE LOWER TORQUE ROD KIT
800 SERIES, 72" SPREAD, 46,000 LBS CAPACITY**

KIT NO	DEGREES	FIXED LENGTH	T/ROD FIXED	T/ROD ADJUST
K880054	0	33 1/4	805332	807334
K880055	1	33 1/2	805334	807334
K880056	2	33 3/4	805336	807340
K880057	3	34	805340	807340
K880058	4	34 1/4	805342	807344
K880059	5	34 1/2	805344	807344

**REAR AXLE LOWER TORQUE ROD KIT
800 SERIES, 72" SPREAD, 46,000 LBS CAPACITY**

KIT NO	DEGREES	FIXED LENGTH	T/ROD FIXED	T/ROD ADJUST
K880120	0	33 1/4	805332	807332
K880121	1	33 1/8	805331	807332
K880122	2	32 7/8	805327	807326
K880123	3	32 5/8	805325	807326
K880124	4	32 3/8	805323	807322
K880125	5	32 1/8	805321	807322
K880126	6	32	805320	807320
K880127	7	31 3/4	805316	807316
K880128	8	31 1/2	805314	807314
K880129	9	31 1/4	805312	807310
K880130	10	31	805310	807310
K880131	11	30 3/4	805306	807306
K880167	12	30 1/2	805304	807304