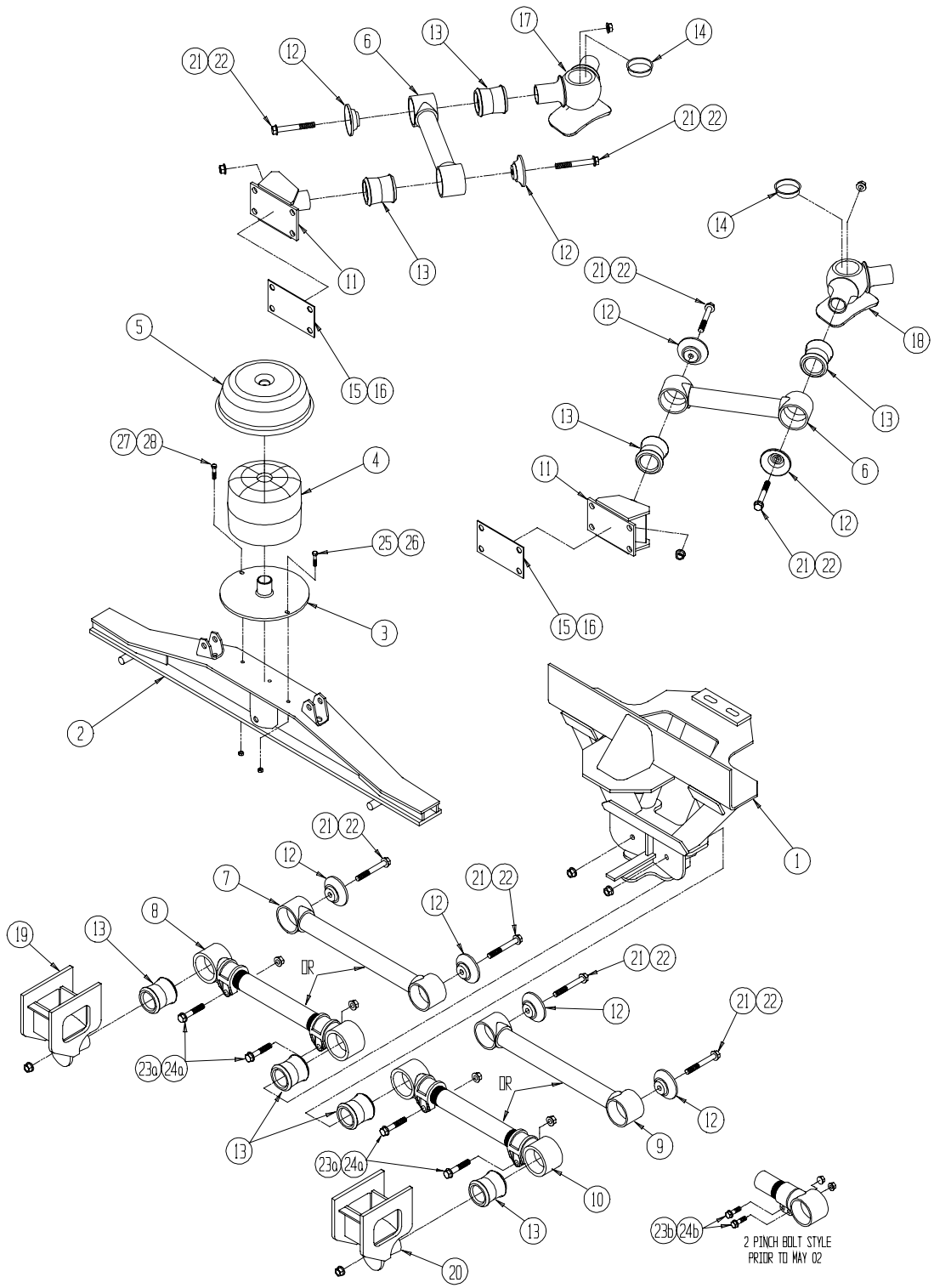




# **800 SERIES 40K XL PARTS MANUAL**

CHALMERS SUSPENSIONS INTERNATIONAL INC  
6400 NORTHAM DRIVE  
MISSISSAUGA, ONTARIO, CANADA  
L4V 1J1  
(905) 362-6400 PHONE      (905) 362-6401 FAX



**Chalmers Suspensions 800 Series XL, 40,000 lbs. Tandem Truck Suspension**

CHALMERS 800 SERIES XL SUSPENSION  
40,000 LBS PARTS LISTING

ITEM	PART NO.	DESCRIPTION	QTY	COMMENTS
1	SEE TABLE	TRIANGULAR FRAME	2	
2	04S00089	BEAM RH	1	
	04S00090	BEAM LH	1	
3	04S00034	BEAM SPRING PLATE	2	
4	15002	#20 LOADGUARD SPRING	2	
5	373028	#28 RESTRICTOR CAN	2	STANDARD
	373029	#29 RESTRICTOR CAN	2	HIGH STABILITY
6	223157	UPPER TORQUE ROD	4	15 7/8" LONG
7	SEE TABLE	LOWER TORQUE ROD	1	
8	SEE TABLE	LOWER TORQUE ROD	1	
9	SEE TABLE	LOWER TORQUE ROD	1	
10	SEE TABLE	LOWER TORQUE ROD	1	
11	02S00005	UPPER FRAME BRACKET	4	
12	800201	SPIGOT CAP #1 JOINT	16	
13	22128	BUSHING #1 JOINT	16	STANDARD
	22129	BUSHING #1 JOINT	16	OVERSIZED/SERVICE
14	800230	TOWER PLUG	2	
15	800056	SHIM	VAR	1/8" THICK
16	800143	SHIM	VAR	1/16" THICK
17	SEE TABLE	TOWER FORWARD AXLE	1	
18	SEE TABLE	TOWER REAR AXLE	1	
19	SEE TABLE	T/ROD SADDLE BRACKET	2	LHF/RHR
20	SEE TABLE	T/ROD SADDLE BRACKET	2	RHF/LHR
21	HDW 381	5/8" NC X 5.0" LG BOLT	16	HARDWARE KIT
22	HDW 379	5/8" NC LOCKNUT	16	HARDWARE KIT
23a	HDW 380	5/8" NC X 3.5" LG BOLT	4	SUPPLIED WITH T/ROD
24a	HDW 379	5/8" NC LOCKNUT	4	SUPPLIED WITH T/ROD
23b	HDW 397	1/2" NC X 1.75" LG BOLT	8	SUPPLIED WITH T/ROD
24b	HDW 393	1/2" NC LOCKNUT	8	SUPPLIED WITH T/ROD
25	HDW 361	3/8" NC X 1.75" LG BOLT	4	HARDWARE KIT
26	HDW 333	3/8" NC LOCKNUT	4	HARDWARE KIT

Notes:

- a – Single pinch bolt style torque rod end put into production May/02
- b – Double pinch bolt style torque rod end used prior to May/02

CHALMERS 800 SERIES XL SUSPENSION  
 TRIANGULAR FRAMES, 40,000 LBS CAPACITY

TRI-FRAME RIGHT HAND	TRI-FRAME LEFT HAND	PINION ANGLES (FRONT/REAR)
02S00425	02S00426	2 DEGREES / 11 DEGREES
02S00448	02S00449	2 DEGREES / 12 DEGREES
02S00191	02S00192	3 DEGREES / 10 DEGREES
02S00356	02S00357	5 DEGREES / 11 DEGREES

CHALMERS 800 SERIES SHIM KITS

SHIM KIT NUMBER	INSIDE FRAME WIDTH	800143 QTY 1/16" THK SHIM	800056 QTY 1/8" THK SHIM
K880132	32 1/2	0	0
K880133	32 5/8	4	0
K880134	32 3/4	0	4
K880135	32 7/8	4	4
K880136	33	0	8
K880137	33 1/8	4	8
K880138	33 1/4	0	12
K880139	33 3/8	4	12
K880140	33 1/2	0	16
K880141	33 5/8	4	16
K880142	33 3/4	0	20

## CHALMERS 800 SERIES TOWERS 40,000 LBS CAPACITY

FORWARD TOWER	REAR TOWER	AXLE MODEL
<b>800496</b>	<b>800497</b>	DANA(EATON); 380*,400*,401*,402*,403*, 404, 405
<b>03S00041</b>	<b>03S00042</b>	MERITOR(ROCKWELL); RT 40-145

\*2.99" OFFSET

## CHALMERS 800 SERIES TORQUE ROD SADDLE BRACKETS 40,000 LBS CAPACITY

LHF/RHR BRACKET	RHF/LHR BRACKET	AXLE MODEL
<b>03S00263</b>	<b>03S00264</b>	DANA(EATON); 404, 405
<b>03S00463</b>	<b>03S00464</b>	MERITOR(ROCKWELL); RT 40-145
<b>03S00463</b>	<b>03S00627</b>	DANA(EATON); 380*,400*,401*,402*,403*

LHF/RHR – LEFT HAND FRONT/ RIGHT HAND REAR

RHF/LHR – RIGHT HAND FRONT/ LEFT HAND REAR

## CHALMERS 800 SERIES SHOCK KIT NO. K800199

PART NO.	DESCRIPTION	QTY
<b>665174 (4)</b>	SHOCK ABSORBER	4
<b>800154(4)</b>	UPPER SHOCK BRKT	4
<b>HDW 372(4)</b>	BOLT 3/4 x 5.5 LG	4
<b>HDW 375(4)</b>	BOLT 3/4 x 3.5 LG	4
<b>HDW 018(8)</b>	LOCKNUT 3/4	8
<b>HDW 031(8)</b>	WASHER 3/4 x 1/8 thk	8

**FORWARD AXLE LOWER TORQUE ROD KIT  
800 SERIES, 54" SPREAD, 40,000 LBS CAPACITY**

KIT NO	DEGREES	FIXED LENGTH	T/ROD FIXED	T/ROD ADJUST
K880030	0	24 5/8	223245	216244
K880031	1	24 7/8	223247	216244
K880032	2	25 1/8	223251	216250
K880033	3	25 3/8	223253	216250
K880034	4	25 5/8	223255	216254
K880035	5	25 7/8	223257	216254

**REAR AXLE LOWER TORQUE ROD KIT  
800 SERIES, 54" SPREAD, 40,000 LBS CAPACITY**

KIT NO	DEGREES	FIXED LENGTH	T/ROD FIXED	T/ROD ADJUST
K880072	0	24 5/8	223245	216242
K880073	1	24 3/8	223243	216242
K880074	2	24 1/8	223241	216240
K880075	3	23 7/8	223237	216234
K880076	4	23 5/8	223235	216234
K880077	5	23 3/8	223233	216230
K880078	6	23 1/8	223231	216230
K880079	7	22 7/8	223227	216226
K880080	8	22 5/8	223225	216224
K880081	9	22 3/8	223223	216220
K880082	10	22 1/8	223221	216220
K880083	11	21 7/8	223217	216216
K880157	12	21 5/8	223215	216214
K880158	13	21 3/8	223213	216212
K880159	14	21 1/8	223211	216210