

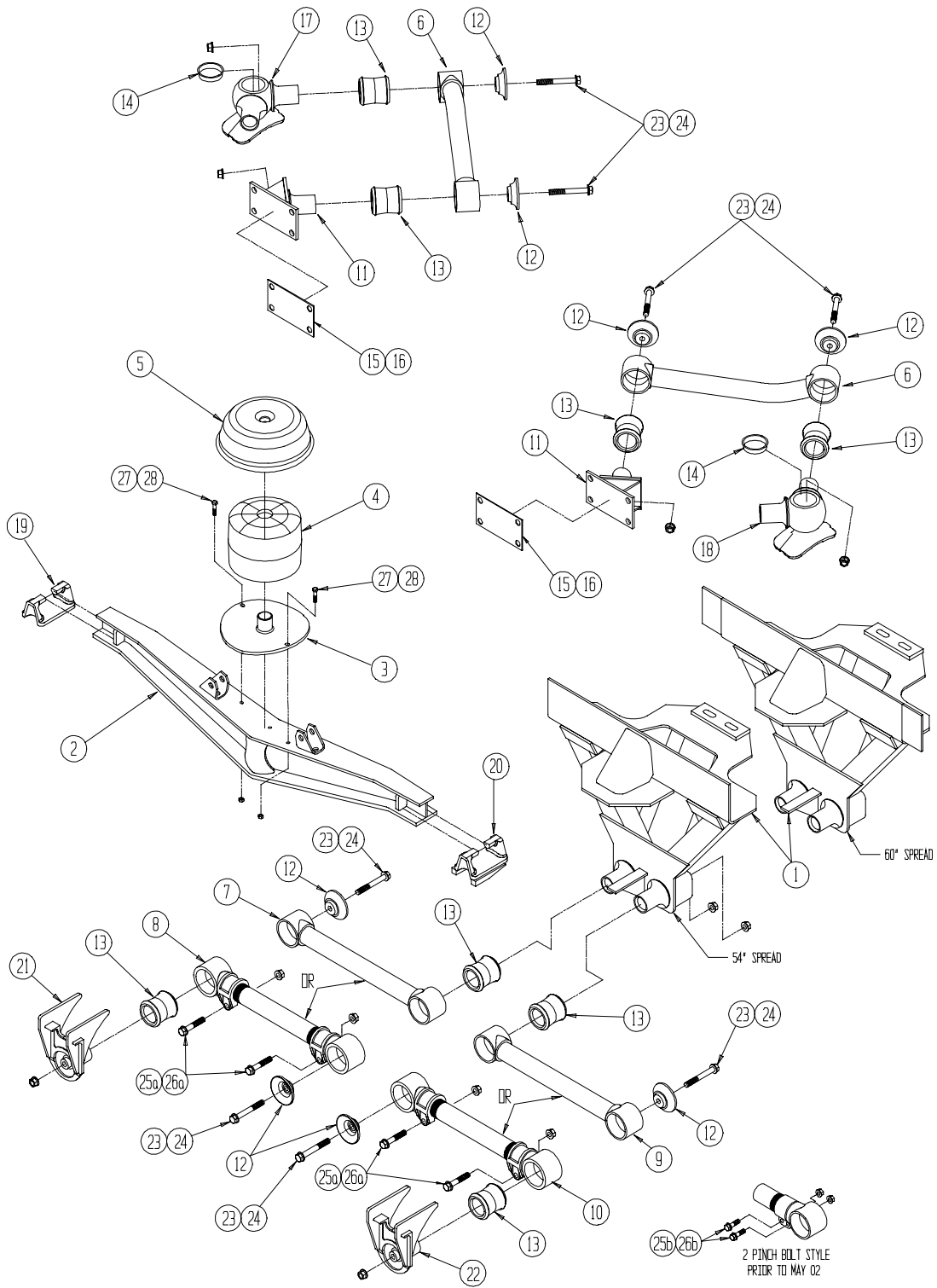


800 SERIES NAVISTAR 40K PARTS MANUAL

CHALMERS SUSPENSIONS INTERNATIONAL INC
6400 NORTHAM DRIVE
MISSISSAUGA, ONTARIO, CANADA
L4V 1J1

(905) 362-6400 PHONE

(905) 362-6401 FAX



Chalmers Suspensions 800 Series 40,000 lbs. Tandem Truck Suspension with Cross-Over Top Torque Rods

CHALMERS 800 SERIES SUSPENSION
40,000 LBS PARTS LISTING
FOR KITS WITH CROSS-OVER TOP TORQUE RODS

ITEM	PART NO.	DESCRIPTION	QTY	COMMENTS
1	800559	TRIANGULAR FRAME	2	54" SPREAD, BLANK
	800558	TRIANGULAR FRAME	2	60" SPREAD, BLANK
2	SEE TABLE	BEAM	2	
3	SEE TABLE	BEAM SPRING PLATE	2	
4	15002	#20 LOADGUARD SPRING	2	
5	373028	#28 RESTRICTOR CAN	2	STANDARD
	373029	#29 RESTRICTOR CAN	2	HIGH STABILITY
6	05S00044	UPPER TORQUE ROD	4	24 1/4" LONG, CURVED
7	SEE TABLE	LOWER TORQUE ROD	1	
8	SEE TABLE	LOWER TORQUE ROD	1	
9	SEE TABLE	LOWER TORQUE ROD	1	
10	SEE TABLE	LOWER TORQUE ROD	1	
11	02S00440	UPPER FRAME BRACKET	4	
12	800201	SPIGOT CAP #1 JOINT	16	
13	22128	BUSHING #1 JOINT	16	STANDARD
	22129	BUSHING #1 JOINT	16	OVERSIZED/SERVICE
14	800230	TOWER PLUG	2	
15	800056	SHIM	VAR	1/8" THICK
16	800143	SHIM	VAR	1/16" THICK
17	SEE TABLE	TOWER FORWARD AXLE	1	
18	SEE TABLE	TOWER REAR AXLE	1	
19	SEE TABLE	SADDLE	2	LHF/RHR
20	SEE TABLE	SADDLE	2	RHF/LHR
21	SEE TABLE	TORQUE ROD AXLE BRKT	2	LHF/RHR
22	SEE TABLE	TORQUE ROD AXLE BRKT	2	RHF/LHR
23	HDW 381	5/8" NC X 5.0" LG BOLT	16	HARDWARE KIT
24	HDW 379	5/8" NC LOCKNUT	16	HARDWARE KIT
25a	HDW 380	5/8" NC X 3.5" LG BOLT	4	SUPPLIED WITH T/ROD
26a	HDW 379	5/8" NC LOCKNUT	4	SUPPLIED WITH T/ROD
25b	HDW 397	1/2" NC X 1.75" LG BOLT	8	SUPPLIED WITH T/ROD
26b	HDW 393	1/2" NC LOCKNUT	8	SUPPLIED WITH T/ROD
27	HDW 361	3/8" NC X 1.75" LG BOLT	4	HARDWARE KIT
28	HDW 333	3/8" NC LOCKNUT	4	HARDWARE KIT

Notes:

- a – Single pinch bolt style torque rod end put into production May/02
- b – Double pinch bolt style torque rod end used prior to May/02

CHALMERS 800 SERIES BEAMS & SPRING PLATES

BEAM PART NO	SPRING PLATE PART NO	BEAM CAPACITY	AXLE SPREAD	MOUNTING HEIGHT
800079	800691	40,000 LBS	54"	LOW
800103	800689	40,000 LBS	54"	HIGH
800091	800687	40,000 LBS	60"	LOW
800107	800685	40,000 LBS	60"	HIGH

Notes: 800117 Spring Plate replaced by 800689
800119 Spring Plate replaced by 800685
800125 Spring Plate replaced by 800691
800127 Spring Plate replaced by 800687

CHALMERS 800 SERIES SHIM KITS

SHIM KIT NUMBER	INSIDE FRAME WIDTH	800143 QTY 1/16" THK SHIM	800056 QTY 1/8" THK SHIM
K880132	32 1/2	0	0
K880133	32 5/8	4	0
K880134	32 3/4	0	4
K880135	32 7/8	4	4
K880136	33	0	8
K880137	33 1/8	4	8
K880138	33 1/4	0	12
K880139	33 3/8	4	12
K880140	33 1/2	0	16
K880141	33 5/8	4	16
K880142	33 3/4	0	20

CHALMERS 800 SERIES TOWERS 40,000 LBS CAPACITY FOR KITS WITH CROSS-OVER TOP TORQUE RODS

FORWARD TOWER	REAR TOWER	AXLE MODEL
03S00550	03S00551	DANA(EATON); 463, D46-170 MERITOR(ROCKWELL); RT 40-145
03S00584	03S00585	DANA(EATON); 405
03S00584	03S00586	DANA(EATON); DST 41

**CHALMERS 800 SERIES TORQUE ROD AXLE BRACKETS
40,000 LBS CAPACITY**

LHF/RHR BRACKET	RHF/LHR BRACKET	AXLE MODEL
800527	800530	DANA(EATON); 463, D46-170
800527	03S00037	MERITOR(ROCKWELL); RT 40-145
03S00037/800527	03S00037/800530	DANA(EATON); DST 41
03S00037	03S00037	DANA(EATON); 405

LHF/RHR – LEFT HAND FRONT/ RIGHT HAND REAR
RHF/LHR – RIGHT HAND FRONT/ LEFT HAND REAR

**CHALMERS 800 SERIES SADDLES
40,000 CAPACITY**

LHF/RHR SADDLE	RHF/LHR SADDLE	AXLE MODEL
222083	222083	DANA(EATON); 405
222083	222083/03P00072	DANA(EATON); DST 41
222083	03P00072	DANA(EATON); 463, D46-170 MERITOR(ROCKWELL); RT 40-145

LHF/RHR – LEFT HAND FRONT/ RIGHT HAND REAR
RHF/LHR – RIGHT HAND FRONT/ LEFT HAND REAR

**CHALMERS 800 SERIES
SHOCK KIT NO. K800199**

PART NO.	DESCRIPTION	QTY
665174 (4)	SHOCK ABSORBER	4
800154(4)	UPPER SHOCK BRKT	4
HDW 372(4)	BOLT 3/4 x 5.5 LG	4
HDW 375(4)	BOLT 3/4 x 3.5 LG	4
HDW 018(8)	LOCKNUT 3/4	8
HDW 031(8)	WASHER 3/4 x 1/8 thk	8

**FORWARD AXLE LOWER TORQUE ROD KIT
800 SERIES, 54" SPREAD, 40,000 LBS CAPACITY**

KIT NO	DEGREES	FIXED LENGTH	T/ROD FIXED	T/ROD ADJUST
K880030	0	24 5/8	223245	216244
K880031	1	24 7/8	223247	216244
K880032	2	25 1/8	223251	216250
K880033	3	25 3/8	223253	216250
K880034	4	25 5/8	223255	216254
K880035	5	25 7/8	223257	216254

**REAR AXLE LOWER TORQUE ROD KIT
800 SERIES, 54" SPREAD, 40,000 LBS CAPACITY**

KIT NO	DEGREES	FIXED LENGTH	T/ROD FIXED	T/ROD ADJUST
K880072	0	24 5/8	223245	216242
K880073	1	24 3/8	223243	216242
K880074	2	24 1/8	223241	216240
K880075	3	23 7/8	223237	216234
K880076	4	23 5/8	223235	216234
K880077	5	23 3/8	223233	216230
K880078	6	23 1/8	223231	216230
K880079	7	22 7/8	223227	216226
K880080	8	22 5/8	223225	216224
K880081	9	22 3/8	223223	216220
K880082	10	22 1/8	223221	216220
K880083	11	21 7/8	223217	216216
K880157	12	21 5/8	223215	216214
K880158	13	21 3/8	223213	216212
K880159	14	21 1/8	223211	216210

**FORWARD AXLE LOWER TORQUE ROD KIT
800 SERIES, 60" SPREAD, 40,000 LBS CAPACITY**

KIT NO	DEGREES	FIXED LENGTH	T/ROD FIXED	T/ROD ADJUST
K880036	0	27 5/8	223275	216274
K880037	1	27 7/8	223277	216274
K880038	2	28 1/8	223281	216280
K880039	3	28 3/8	223283	216280
K880040	4	28 5/8	223285	216284
K880041	5	28 7/8	223287	216284

**REAR AXLE LOWER TORQUE ROD KIT
800 SERIES, 60" SPREAD, 40,000 LBS CAPACITY**

KIT NO	DEGREES	FIXED LENGTH	T/ROD FIXED	T/ROD ADJUST
K880084	0	27 5/8	223275	216272
K880085	1	27 3/8	223273	216272
K880086	2	27 1/8	223271	216270
K880087	3	26 3/8	223267	216264
K880088	4	26 5/8	223265	216264
K880089	5	26 3/8	223263	216260
K880090	6	26 1/8	223261	216260
K880091	7	25 7/8	223257	216254
K880092	8	25 5/8	223255	216254
K880093	9	25 3/8	223253	216250
K880094	10	25 1/8	223251	216250
K880095	11	24 7/8	223247	216246
K880160	12	24 5/8	223245	216244
K880161	13	24 3/8	223243	216242