

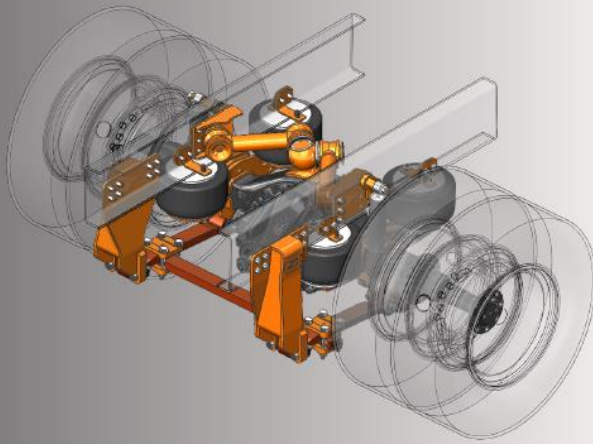


CHALMERS 1800 SERIES AIR RIDE SUSPENSION



BUILDING ON 50 YEARS OF PROVEN SUCCESS

A VOCATIONAL TRUCK AIR SUSPENSION
WORTHY OF THE NAME **CHALMERS**



- **Superior ride comfort**
- **Improved stability**
- **Customized solutions for roll stiffness**
- **Standard and tailored suspension versions**

VOCATIONAL USES



CONCRETE MIXER



CONSTRUCTION



OIL FIELD



CRANE



LOGGING



VAC TRUCK



REFUSE



ROLL-OFF



CHALMERS SUSPENSIONS INTERNATIONAL INC.
6400 NORTHAM DRIVE, MISSISSAUGA, ONTARIO, CANADA, L4V 1J1
Tel : 905 362 6400 www.chalmerssuspensions.com



CHALMERS 1800 SERIES AIR RIDE SUSPENSION

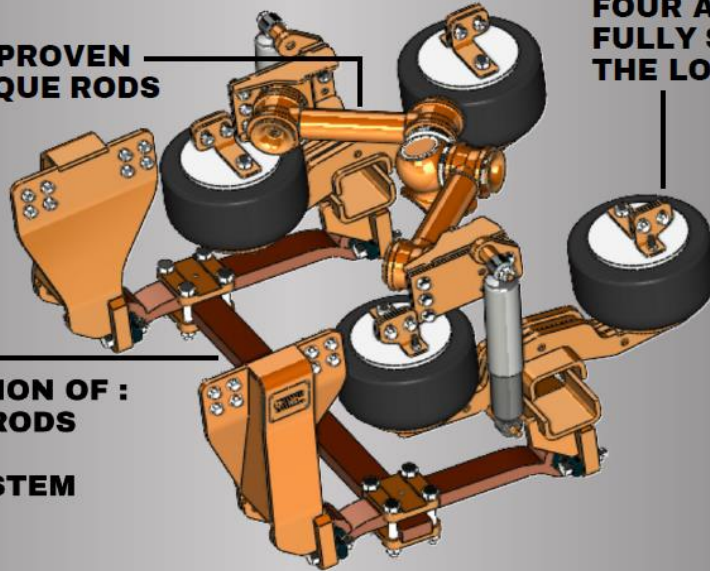
KEY FEATURES

**CHALMERS PROVEN
UPPER TORQUE RODS**

**FOUR AIR SPRINGS
FULLY SUPPORTING
THE LOAD**

**H - FRAME
PROVIDING FUNCTION OF :**

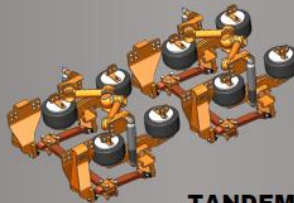
- LOWER TORQUE RODS
- CUSTOMIZABLE
ANTI-ROLL SYSTEM



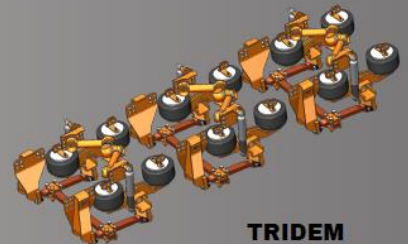
CONFIGURATIONS



SINGLE



TANDEM



TRIDEM

SPECIFICATIONS

- Load rating : 23K - 26K lbs / axle
- Site rating : 30K - 34K lbs / axle
- Axle spacing : minimum 52"
- Ground clearance* : 10"
- Ride height* : 10"
- Axle travel* : 8"

* Depending on version

Customized solutions available



CHALMERS SUSPENSIONS INTERNATIONAL INC.
6400 NORTHAM DRIVE, MISSISSAUGA, ONTARIO, CANADA, L4V 1J1
Tel : 905 362 6400 www.chalmerssuspensions.com