



# SINGLE AXLE SUSPENSION DATA

Company Name: \_\_\_\_\_ Date: \_\_\_\_\_

Contact Name: \_\_\_\_\_ Phone: \_\_\_\_\_ Fax: \_\_\_\_\_

Address: \_\_\_\_\_ Email: \_\_\_\_\_

\_\_\_\_\_  
\_\_\_\_\_

- OEM Installation
- Aftermarket Installation

## VEHICLE DATA

Make: \_\_\_\_\_ Year: \_\_\_\_\_ Mileage: \_\_\_\_\_ VIN#: \_\_\_\_\_

Model: \_\_\_\_\_ Vocation: \_\_\_\_\_ Wheelbase: \_\_\_\_\_ Number of units: \_\_\_\_\_

Unsprung Weight: \_\_\_\_\_ Max Gross Combination Weight (GCW): \_\_\_\_\_

Max Gross Vehicle Weight (GVW): \_\_\_\_\_

Max Load on Rear Drive Axle (at ground) w/Lift Axle Down: \_\_\_\_\_ w/Lift Axle Up: \_\_\_\_\_

If Aftermarket Installation – Current Suspension on Vehicle: \_\_\_\_\_

VEHICLE TYPE  Tractor  Straight Truck  Other \_\_\_\_\_

Drive Axle – choose one

Auxiliary Axle – choose one if equipped

Single axle only

Drive Axle with Pusher

Drive Axle with Tag

4x2

6x2

6x2

Other

## DRIVE AXLE DATA

Make: \_\_\_\_\_ Model: \_\_\_\_\_ Track: \_\_\_\_\_

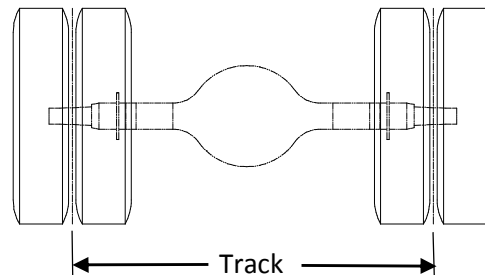
## TIRE DATA

Make: \_\_\_\_\_ Model: \_\_\_\_\_ Size: \_\_\_\_\_

## BRAKE DATA

Chamber Size: \_\_\_\_\_  Cam  Disc  Wedge  Other \_\_\_\_\_

Actuators:  Forward  Rear Retarder:  Yes  No



## SUSPENSION OPTIONS

Complete this section even if requirements match existing unit

Capacity  23,000 lbs  30,000 lbs  40,000 lbs  Other \_\_\_\_\_

Mounting Height Required: \_\_\_\_\_

Shock Absorber Location  Forward  Rear

(Centreline of Axle to bottom of Frame Laden)

(Standard is Forward, chose Rear if Brake Chambers are forward of axle)

Lower Torque Rods  29" (Standard)  21" (Typical for Sweepers, Brake Chambers must be rear of axle)

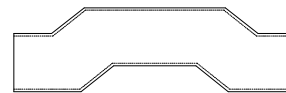
## FRAME STYLE



STRAIGHT



TAPERED

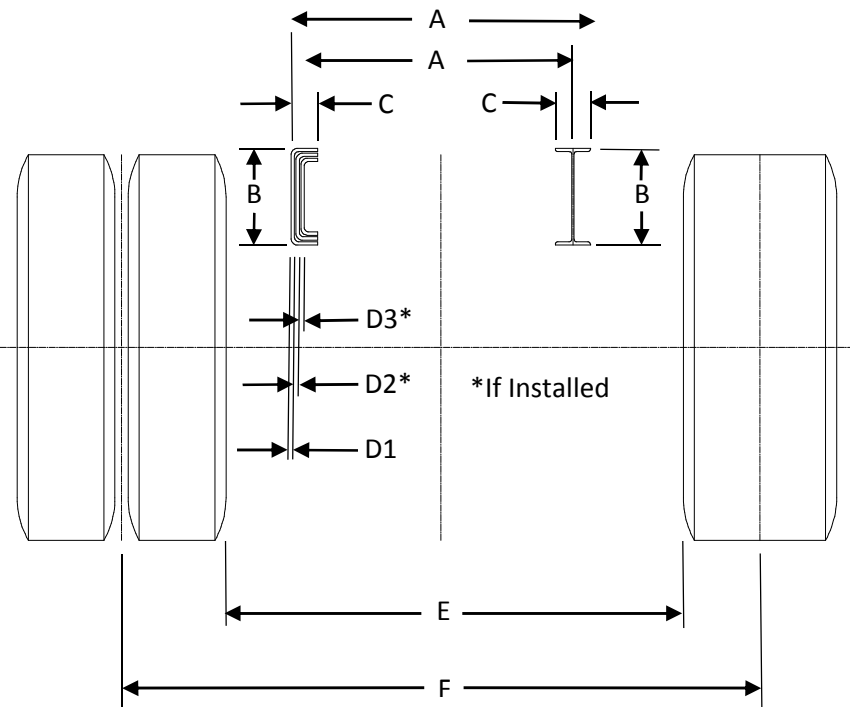


OTHER



# SINGLE AXLE SUSPENSION DATA

## FRAME AND TRACK DATA



FRAME  Aluminum  Steel

A-Width: \_\_\_\_\_

Frame Rail to Frame Rail

Centreline of Web to Centreline of Web

B- Section: \_\_\_\_\_

C- Flange: \_\_\_\_\_

D1- Frame Thickness: \_\_\_\_\_

D2- Insert Thickness: \_\_\_\_\_

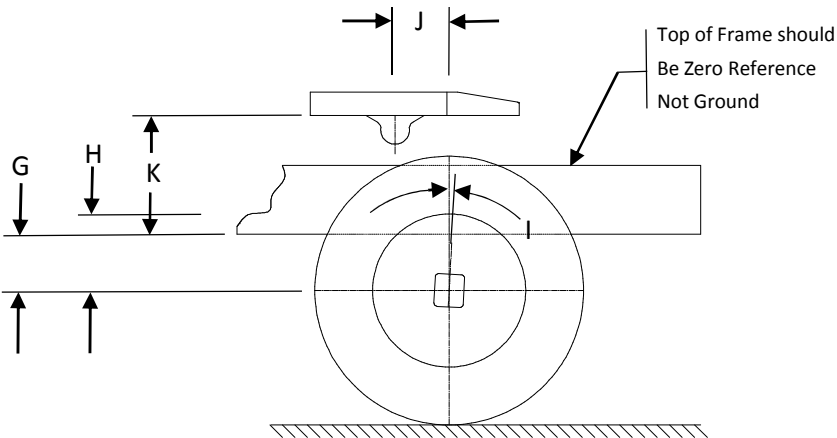
D3- Insert Thickness: \_\_\_\_\_

TIRES

E- Inside Spacing: \_\_\_\_\_

F- Axle Track: \_\_\_\_\_

## PINION ANGLE AND 5<sup>TH</sup> WHEEL DATA



G-Laden Height: \_\_\_\_\_

H-Unladen Height: \_\_\_\_\_

I-Axle Pinion Angle: \_\_\_\_\_

J-5<sup>th</sup> wheel Height: \_\_\_\_\_

If equipped

K-5<sup>th</sup> Wheel Offset: \_\_\_\_\_

If equipped

Comments and/or Special Requirements: \_\_\_\_\_

\_\_\_\_\_

\_\_\_\_\_

\_\_\_\_\_